

# ***Lift Rack Accessories***

***For Hunter wheel alignment lift racks***

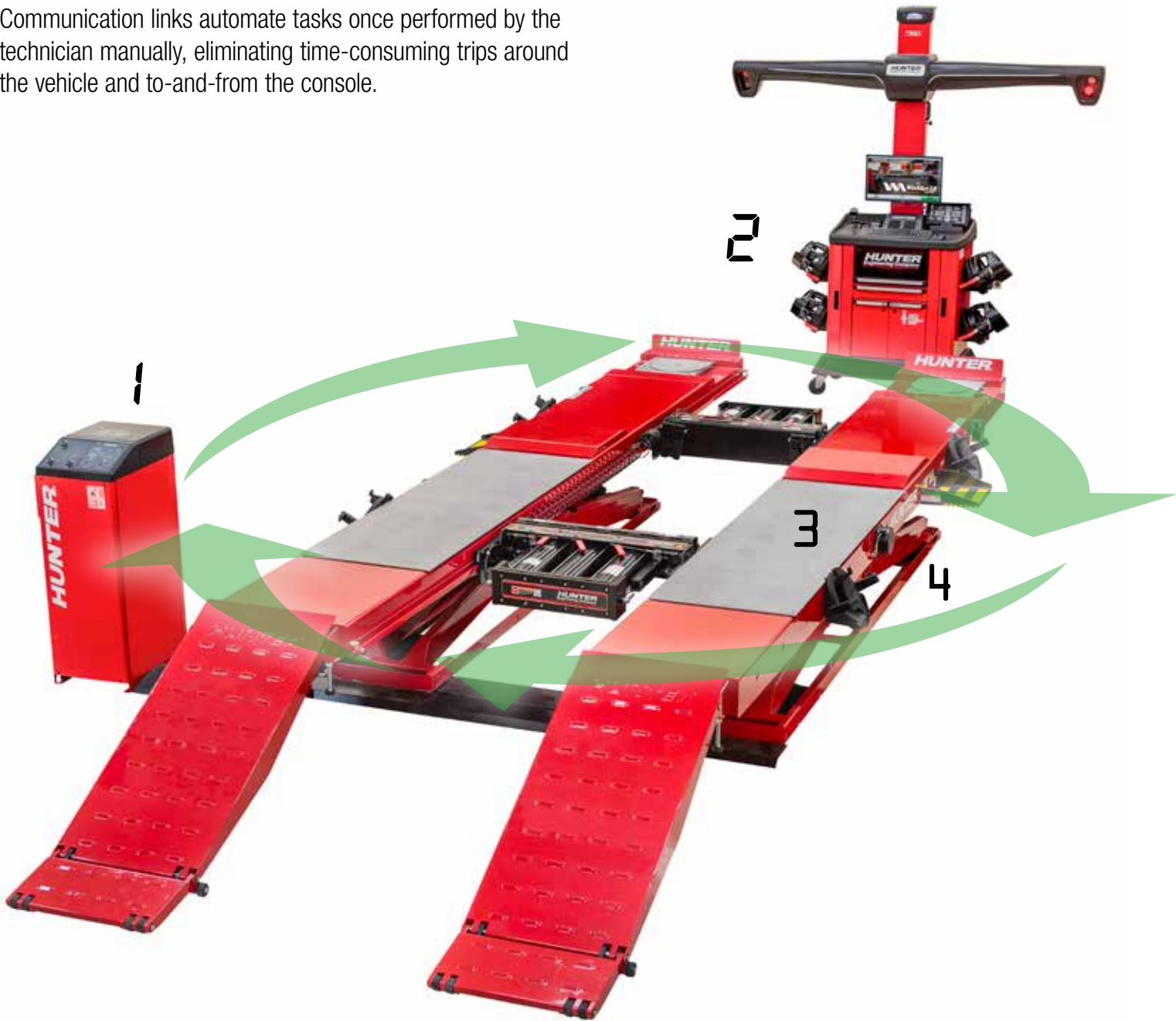


# FIA Fully Integrated Alignment



FIA streamlines the entire alignment process.

Communication links automate tasks once performed by the technician manually, eliminating time-consuming trips around the vehicle and to-and-from the console.



1



**PATENTED**

### RX Scissor Lift console

- ✓ Raising the vehicle triggers the sensors to look for wheel targets
- ✓ Control PowerSlide® and Inflation Station settings on the lift console
- ✓ Store bar-code scanner and CodeLink tool near the vehicle to save steps



*AlignLights turn on automatically at alignment height*

2



**PATENTED**

### WinAlign® console

- ✓ Centralized control of entire system
- ✓ Communicate directly with lift to set tire pressure and automatically operate turnplates and slipplates
- ✓ Guide the technician through the alignment process



*Measurements are taken automatically once the fourth target is installed*

3



**POWER SLIDE™**

**PATENTED**

### PowerSlide® system

- ✓ Slipplates and turnplates automatically lock and unlock at appropriate times
- ✓ No more struggles with lock pins



*Auto-locking turnplates and slipplates save trips around the vehicle*

4



**INFLATION STATION**

**PATENTED**

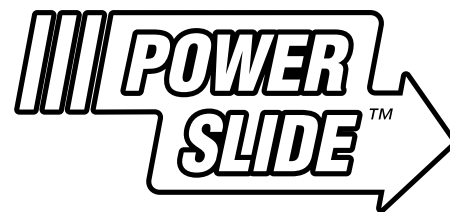
### Inflation Station

- ✓ Automatically inflate all four tires simultaneously
- ✓ Record starting and final pressure
- ✓ Hose recoils to keep work area clear



*Software tracks before and after tire pressures for the customer's printout*

# PowerSlide™ system



The PowerSlide™ system secures and releases slipplates and turnplates with one touch. With the PowerSlide™ system, technicians no longer have to make multiple trips around the vehicle or struggle to remove and replace lock pins during an alignment.



**PATENTED**

## PowerSlide™ Turnplates

See page 7 for PowerSlide™ turnplate options.



## PowerSlide™ Slipplates



*RX Lift PowerSlide™ control*



*Four-Post Lift PowerSlide™ control*

### TIP

PowerSlide™ saves time operating as a stand-alone system, but operates most efficiently when connected to an aligner through FIA.

- ✓ Conveniently located on the lift console
- ✓ Locks and unlocks slipplates and turnplates with the touch of a button
- ✓ Automatically locks when lift is lowered\*

## PowerSlide™ upgrades

- PowerSlide™ turnplates *not* included.
- Kits include all parts needed for upgrade but no installation payment. Consult your service rep before quoting.

NEWER RX10K/12K SCISSOR LIFTS	RX14K/RX16KF SCISSOR LIFT	NEWER L45X FOUR-POST LIFTS
20-3527-1	20-3528-1	20-3069-1
Adds PowerSlide™ capability and FIA	Adds PowerSlide™ capability	Adds PowerSlide™ capability

# Inflation Station system

The Inflation Station system inflates all four tires to a pre-selected pressure simultaneously - while you raise the lift or do other tasks!  
Saves steps and save time!



RX Lift Inflation Station control panel



Four-Post Lift Inflation Station/FIA console

- ✓ Set tire pressure at the lift console or at the aligner\*
- ✓ Automatically inflate all four tires simultaneously
- ✓ Record starting and final pressure\*\*

Integrated inflation hoses, located at each wheel position, retract when not in use to keep the work area clear.

Printouts show starting and final tire pressures.\*



## TIP

Inflation Station saves time operating as a stand-alone system, but operates most efficiently when connected to an aligner through FIA.

## Inflation Station upgrades

- PowerSlide™ turnplates *not* included.
- Kits include all parts needed for upgrade but no installation payment. Consult your service rep before quoting.

	<b>RX10K/12K SCISSOR LIFTS</b>	<b>RX16 SCISSOR LIFT</b>	<b>NEWER L45X FOUR-POST LIFTS</b>
Lift has no FIA features	20-3529-1	20-3530-1	20-3070-1

# AlignLights

The AlignLights system provides a safe and efficient LED light source underneath the vehicle without additional electrical cords.

The lights automatically switch on when the lift is raised and off when the lift is lowered.

**20-3438-1 – for RX\_K models only**

**20-2993-1 – for L45x models**

*AlignLights is an ALI listed accessory for all lift models.*



*AlignLights is available for most Hunter alignment lifts as an installed option or can be retrofitted to most previously installed lifts.*

# Swing Air Jacks

Hunter Swing Air Jacks provide reliable, full-pneumatic operation.

Proven over decades of use, air-operated cylinders raise the vehicle from either the suspension or frame. Swing air jacks are engineered to handle a wide variety of vehicles and provide easy, low-maintenance service.



*Swing air jacks combine low drive-on height with high lifting capacity.*



**9,000-lb. Capacity,  
Triple Composite Cylinder Jack  
133-84-1**

Ideal for use with RX16, L45x lift models.

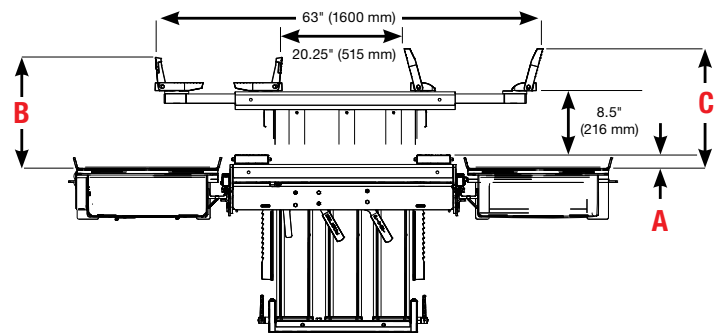


**6,000-lb. Capacity,  
Dual Composite Cylinder Jack  
133-85-1**

Ideal for use with RX-10 and RX12A lift models.

*Swing Air Jack clearances*

<b>A</b>	<b>Clearance</b>	1.5 in.
<b>B</b>	<b>Max. Low Flip</b>	16 in.
<b>C</b>	<b>Max. High Flip</b>	18 in.



# Turnplates



## PowerSlide™ Turnplates

PowerSlide™ turnplates eliminate the hassle of removing and replacing lock pins during an alignment. Integrated bridges lower and raise as plates are locked. PowerSlide™ turnplates are an optional feature that may be added later to qualified RX and Four-Post series lifts.

<b>20-2076-1</b>	PowerSlide™ turnplates with automatic bridges	For use with camera-based alignment sensors
------------------	---	---



## Stainless Steel Turnplates

Resists corrosion and maintains free movement during the alignment procedure. Stainless steel construction for long, trouble-free life. No pointer.

<b>20-2532-1</b>	Stainless Steel (set of 2)	Fits 1.5" or 50 mm turnplate pockets <i>Includes guide strips</i>
<b>20-2533-1</b>	Stainless Steel, Low Friction (set of 2)	Fits 50 mm turnplate pockets <i>Includes guide strips</i>



## Painted Turnplates

### 20-2531-1BLK

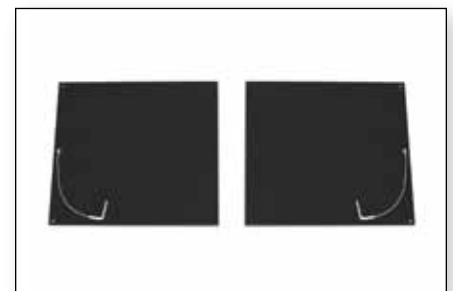
Set of two turnplates for 1.5" or 50 mm turnplate pockets. Steel construction with a powder-coated paint finish. No pointer.



## Turnplate Bridge

Eases rolling compensation when rack is used with camera-based alignment sensors.

**20-2307-1** Universal Bridge for 50 mm and 1.5" turnplate pockets



## Filler Plates

Fills turnplate pockets when turnplates are not used. 19.5" wide.

**20-2395-1BLK** For 50 mm pockets (two included)



# Ramps and Extensions

High-floor-slope conditions and low-ground-clearance vehicles occasionally require additional approach ramp length.

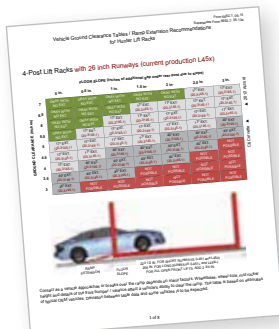
## Stage 2 RX Approach Ramp Extensions *(only available in red or black)*

<b>20-3113-1</b>	RX ramp extension kit (set of 2)	Adds 17.75" to the length of RX10K, RX9, RX10, and RX16 <i>Standard on RXDC, RX12K, and RX14K</i>
<b>20-2189-1</b>	RX ramp extension (incl. quick-release pins)	Adds 50" to length of RX10K, RX9, RX10, and RX16 Adds 37.25" to RX-12, RX12A, RX12K, and RX14K



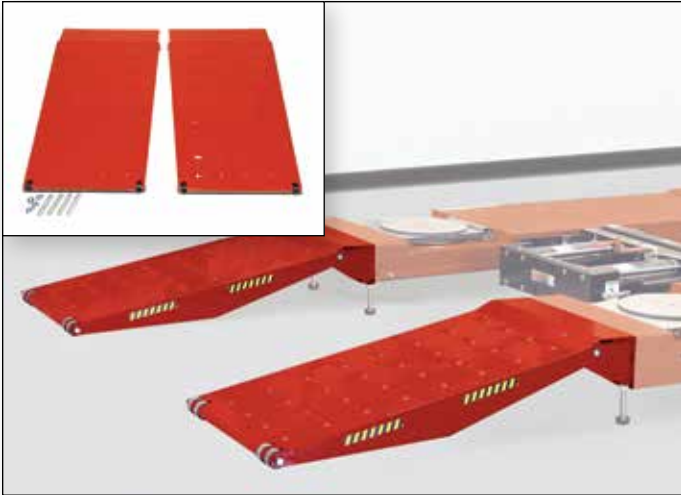
## Stage 2 Four-Post Ramp Extension Kit *(only available in red or black)*

<b>20-3145-1</b>	Four-Post ramp extension for 26-in. runways	Adds 17.5" to length of ramps
<b>20-3146-1</b>	Four-Post ramp extension for 26-in. runways	Adds 40" to the length of ramps



Refer to form **6652-T** for ramp extension recommendations based on vehicle ground clearance.

# Ramps and Extensions cont.



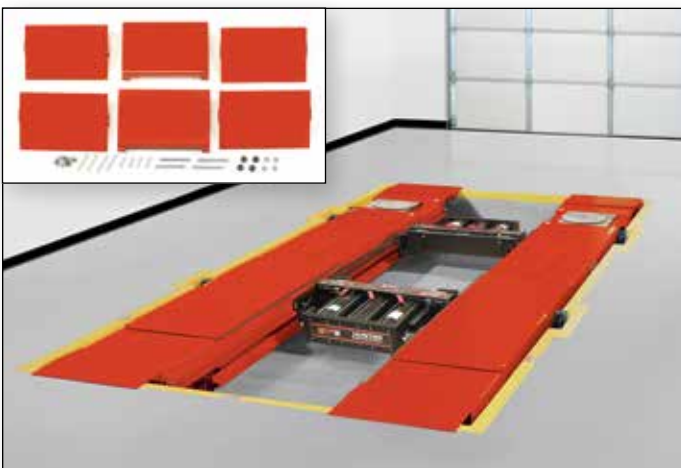
## Drive-Thru Kit – 20-2498-1

(Only available in red or black.)

RX10K, RX12K, and RX14K drive-thru kit for camera sensors

Also suitable for legacy RX10, RX12A, and RX16 racks

Adds 52" to overall length

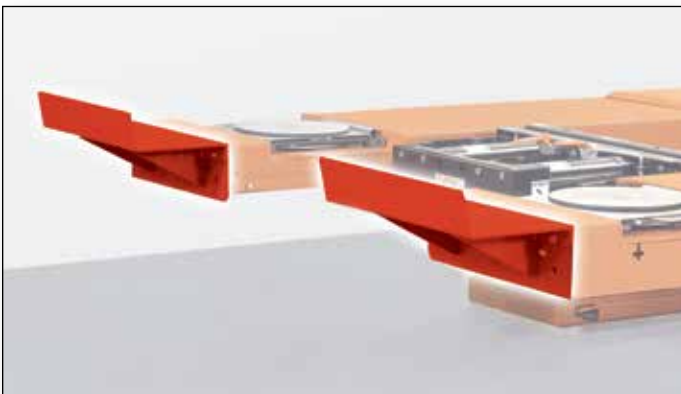


## Flush-Mount Conversion Kit – 20-2736-1

Converts surface-mount installations to flush-mount installations, using current site requirements. *(Only available in red or black.)*

For RX10K and RX12K

Also fits legacy RX10 and RX12A racks



## Long Wheel Stops – 20-2497-1

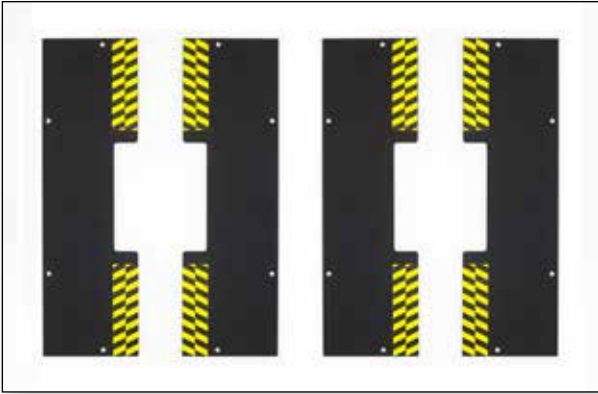
For use with conventional sensors and vehicles with low spoilers.

*(Only available in red or black.)*

Fits current RX10K, RX12K, RX14K racks, as well as legacy RX10, RX12A, and RX16 racks

Adds approximately 12" in length

# Additional lift accessories



## Pit Hose Reel Cover Plates (set of 4) 20-2267-1

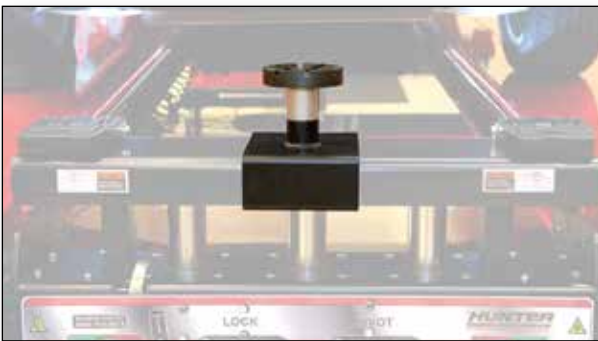
Cover plate for Inflation Station lifts to trim around flush-mount cut-outs.

**51-2308-1** Single pit hose reel cover plate



## Work Step – 51-1696-1

Work step makes custom steer or underhood shim work easier. Can be used with RX, L45X, L42X, L44X, RM, PN and RMHD models.



## Center Lift Jack Adaptor

**20-2854-1** (6,000 lb) **20-2853-1** (9,000 lb)

Ideal accessory for lifting from the differential or subframe on many vehicles. Includes storage bracket.

Suitable for **133-84-1** and **133-85-1** jacks only.



## Jack Riser Kit (set of 2) – 20-2801-1

Extends the reach of the jack to make lifting high- ground-clearance and long-wheelbase vehicles easier. Adds 4.5" to overall jack lift height.

Suitable for **133-84-1** and **133-85-1** jacks only.

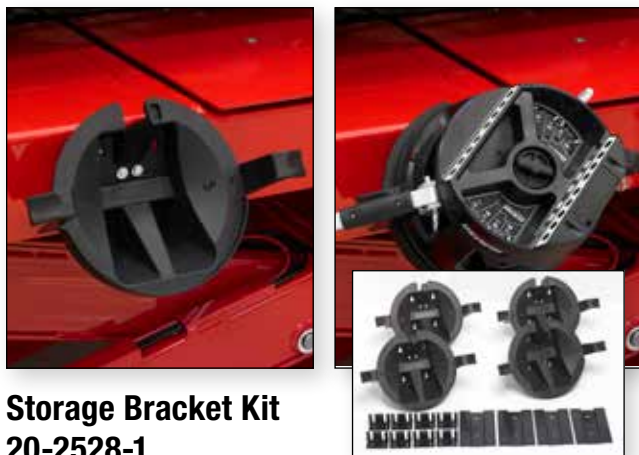


## Front-Mount Power Unit Bracket – 20-3072-1

*For L45x models*

Moves power unit mounting to front of four-post column for bays with very little space.

# Additional lift accessories



## Storage Bracket Kit 20-2528-1

Provides storage for wheel adaptors on console, lift or HawkEye Elite® sensor column. Simply bolts on to clip-on work step holes, no drilling required. Includes four brackets.



## Wheel Chock – 22-525-2

Prevents vehicle from rolling once on the lift. Two chocks are included standard in any new lift purchase.



*Be sure to check out Hunter's lift rack literature for more detailed information on each product.*

*Because of continuing technological advancements, specifications, models, and options are subject to change without notice.*

*WinAlign and HawkEye Elite are registered trademarks of Hunter Engineering Company.*

0723DH

Copyright © 2023, Hunter Engineering Company

**HUNTER**  
**Engineering Company**

[www.hunter.com](http://www.hunter.com)

Form RB05262-00, 07/23  
Supersedes Form RB05262-00, 07/22