

# ***TCX50 Standard Tire Changer***

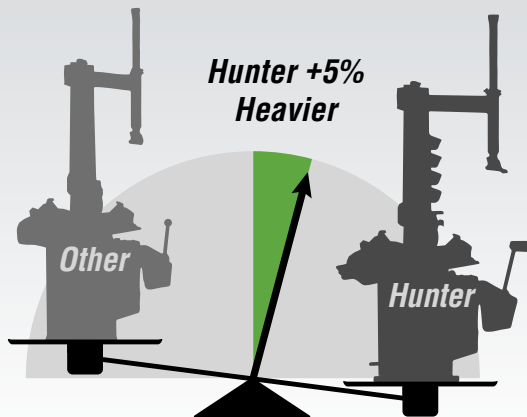
***Conventional tire changer***



# Key features of the TCX50 Tire Changer

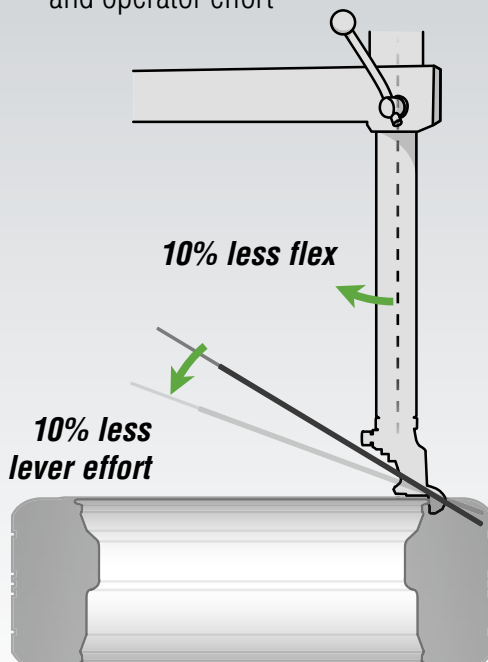
## Heavyweight

- ✓ Heaviest model in its class
- ✓ Long service life



## Class-Leading Rigidity

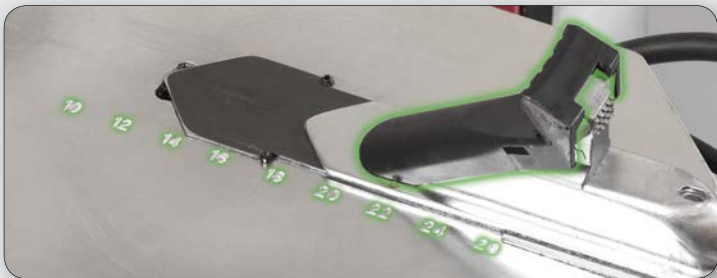
- ✓ Rigid chassis reduces damage risk and operator effort



TCX50E shown

## Easy-to-Use Adjustable Tabletop

- ✓ Built-in adjustment system provides 10- to 26-in. clamping range
- ✓ All jaws adjust simultaneously for mistake-free clamping
- ✓ Polished tabletop for easy cleanup
- ✓ Hi-grip jaw covers add mounting torque and protect wheels
- ✓ Diameter marks aid external clamping



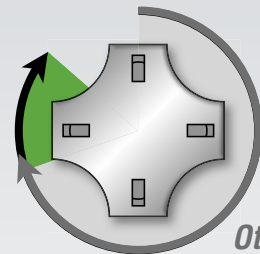
## More Torque, More Speed

### More Torque

- ✓ Unique 110V or 220V\* motor generates more torque than popular air or electric models.

\*110V  or 220V  configured at installation.

**Hunter +20%  
More Torque**

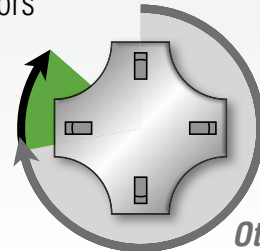


*Others*

### Faster

- ✓ Faster than popular alternatives — increases productivity
- ✓ Electric tabletop doesn't slow down under load like air motors

**Hunter  
+15%  
Faster**

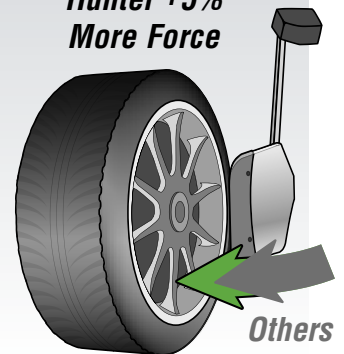


*Others*

## PowerOut™ Bead Loosener

- ✓ Most powerful bead breaker in its class
- ✓ Fingertip control eases service of large assemblies
- ✓ Three-way adjustable for best rim fit
- ✓ Shovel protectors standard

**Hunter +5%  
More Force**



*Others*

# Popular accessories



**Bead Press Arm** - 20-2833-1  
(Standard on TCX51)

Aids mounting, demounting and clamping. Hook lifts heavy tires



**Bead Press System** - 20-2834-1  
(Standard on TCX53)

Aids mounting and demounting with tremendous power and control



**Blast inflator** - RP11-8-11100403

Direct bursts of compressed air to seat difficult beads

## Specifications

### Electrical requirements

110 mode	110V, 1 ph, NEMA 5-15P
220 mode	220V, 1 ph, NEMA L6-20P
<b>Air pressure operating range</b>	110–145 psi
<b>Air volume of inflation tank</b>	4.75 gallons
<b>Wheel Clamping (nominal)</b>	
External (min-max)	10 in. – 26 in.
Internal (min-max)	12 in. – 28 in.
<b>Table rotation speed</b>	
Electronic motor	10 CW / 10 CCW
Air motor	10 CW / 5 CCW
<b>Maximum tire diameter</b>	46 in.
<b>Maximum tire width</b>	14 in.
<b>Bead loosener width</b>	16 in.
<b>Noise level</b>	74 dB
<b>Machine weight</b>	630 lbs.

*Some dimensions, capacities and specifications may vary depending on tire and wheel configurations.*

**Because of continuing technological advancements, specifications, models and options are subject to change without notice.**

### Models

TCX50E	Electric motor
TCX50A	Air motor

### Standard equipment

- ✓ Polymer mount head
- ✓ Standard bead lever
- ✓ Bead lever protectors (polymer)
- ✓ Shovel protectors (polymer)
- ✓ Hi-grip jaw protectors (polymer)
- ✓ Inflation system
- ✓ Two storage pockets

### Optional equipment

20-2833-1	Bead press arm upgrade
20-2834-1	Bead press system upgrade
20-2045-1	Wheel lift
20-2885-1	Storage shelf
RP11-8-11100403	Blast inflator



0116GAP3M.36



Be sure to check out other Hunter literature for more quality products from Hunter Engineering.

**HUNTER**  
Engineering Company

[www.hunter.com](http://www.hunter.com)