



US00D552497S

(12) **United States Design Patent** (10) **Patent No.:** **US D552,497 S**
Parker (45) **Date of Patent:** **** Oct. 9, 2007**

(54) **VEHICLE WHEEL BALANCER WEIGHT TRAY**

Primary Examiner—Antoine D. Davis
(74) *Attorney, Agent, or Firm*—Polster, Lieder, Woodruff & Lucchesi, L.C.

(75) Inventor: **John F. Parker**, O'Fallon, MO (US)

(57) **CLAIM**

(73) Assignee: **Hunter Engineering Company**,
Bridgeton, MO (US)

The ornamental design for a vehicle wheel balancer weight tray, as shown and described.

(**) Term: **14 Years**

(21) Appl. No.: **29/243,176**

DESCRIPTION

(22) Filed: **Nov. 21, 2005**

(51) **LOC (8) Cl.** **10-04**

(52) **U.S. Cl.** **D10/82**

(58) **Field of Classification Search** D10/82;
73/487, 462; 211/163

See application file for complete search history.

FIG. 1 is a perspective view of the vehicle wheel balancer weight tray of the present invention, the vehicle wheel balancer weight tray is defined generally by a front planar portion and an integrated rear truncated conical-section portion, optional weight compartments and balancer spindle cone compartments, shown in phantom, form no part of the invention;

(56) **References Cited**

U.S. PATENT DOCUMENTS

D315,524 S * 3/1991 Cunningham et al. D10/82
6,732,585 B1 * 5/2004 Cunningham et al. 73/462

FIG. 2 is a top plan view of the embodiment shown in FIG. 1;

FIG. 3 is a left side view of the embodiment shown in FIG. 1;

OTHER PUBLICATIONS

Hofmann, 2600/2800 Wheel Balancer, 2002 (1 page).
Nussbaum, Wheel Balancers for cars, motorcycles, and light trucks, May 2003 (8 pages).
CEMB K10 Balancing Machines, Feb. 2004, (4 pages).
CEMB C71 Balancing Machines, Jul. 2005 (4 pages).
Corghi Automotive EM 8370 Balancing Machine, Nov. 9, 2005 (3 pages).
Beissbarth Microtec 850/850.A Wheel Balancing with Monitor Display, Printed Nov. 9, 2003 (4 pages).
Beissbarth Microtec 835/845 Passenger-car Wheel Balancing Service, Printed Nov. 9, 2005, (6 pages).
Haweka's Balco 948, 1997 (4 pages).
Beissbarth Microtec 880/870 Wheel Balancing, Jul. 1998 (4 pages).

FIG. 4 is a right side view of the embodiment shown in FIG. 1;

FIG. 5 is a front side view of the embodiment shown in FIG. 1;

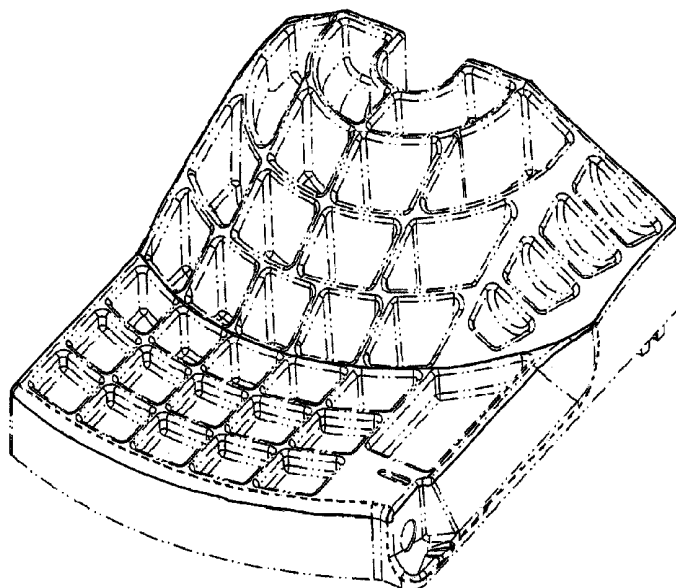
FIG. 6 is a back side view of the embodiment shown in FIG. 1;

FIG. 7 is a bottom plan view of the embodiment shown in FIG. 1; and,

FIG. 8 is a perspective view of the embodiment of shown in FIG. 1 in the environment of a vehicle wheel balancer system, which is shown in phantom and forms no part of the invention.

* cited by examiner

1 Claim, 6 Drawing Sheets



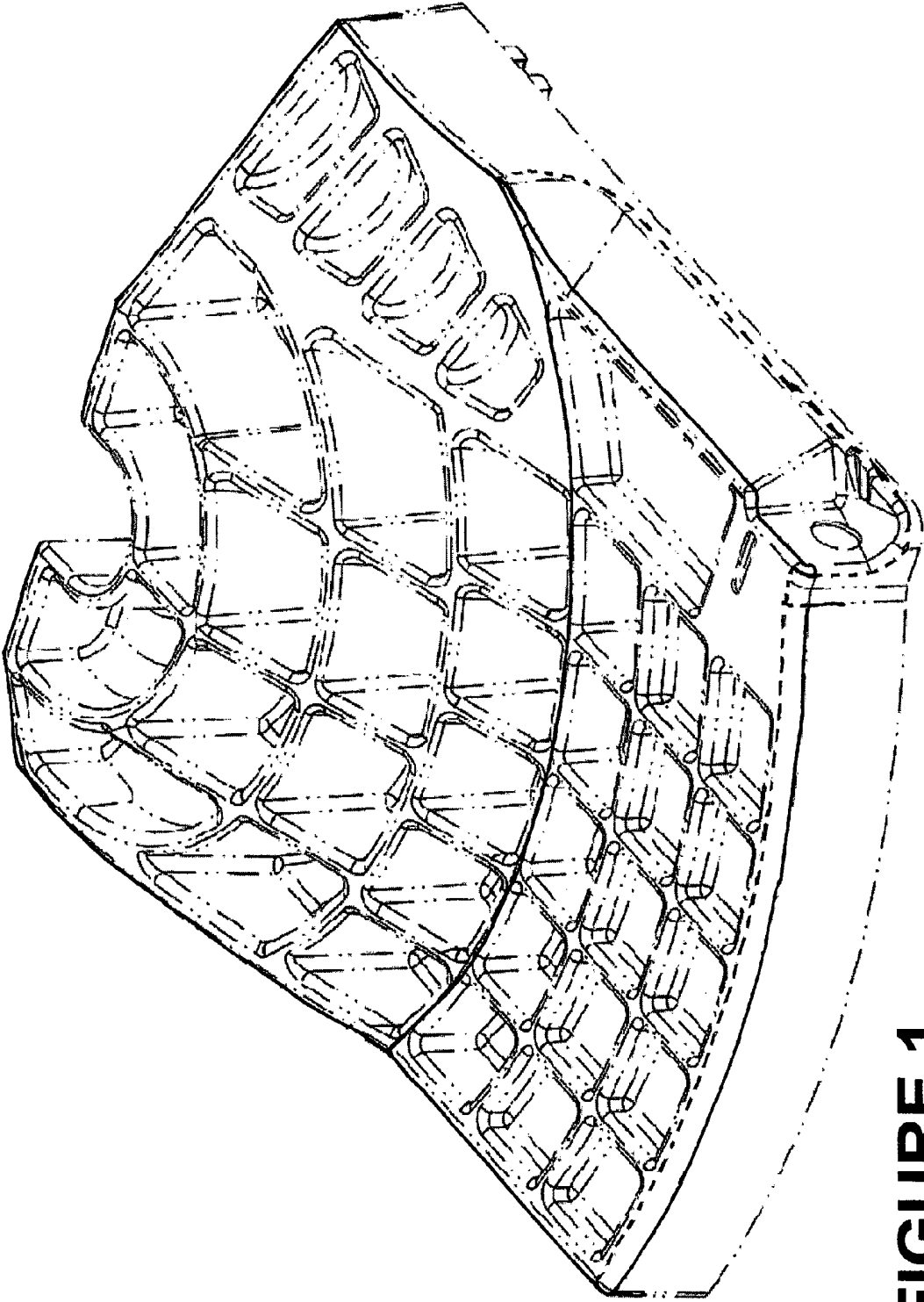


FIGURE 1

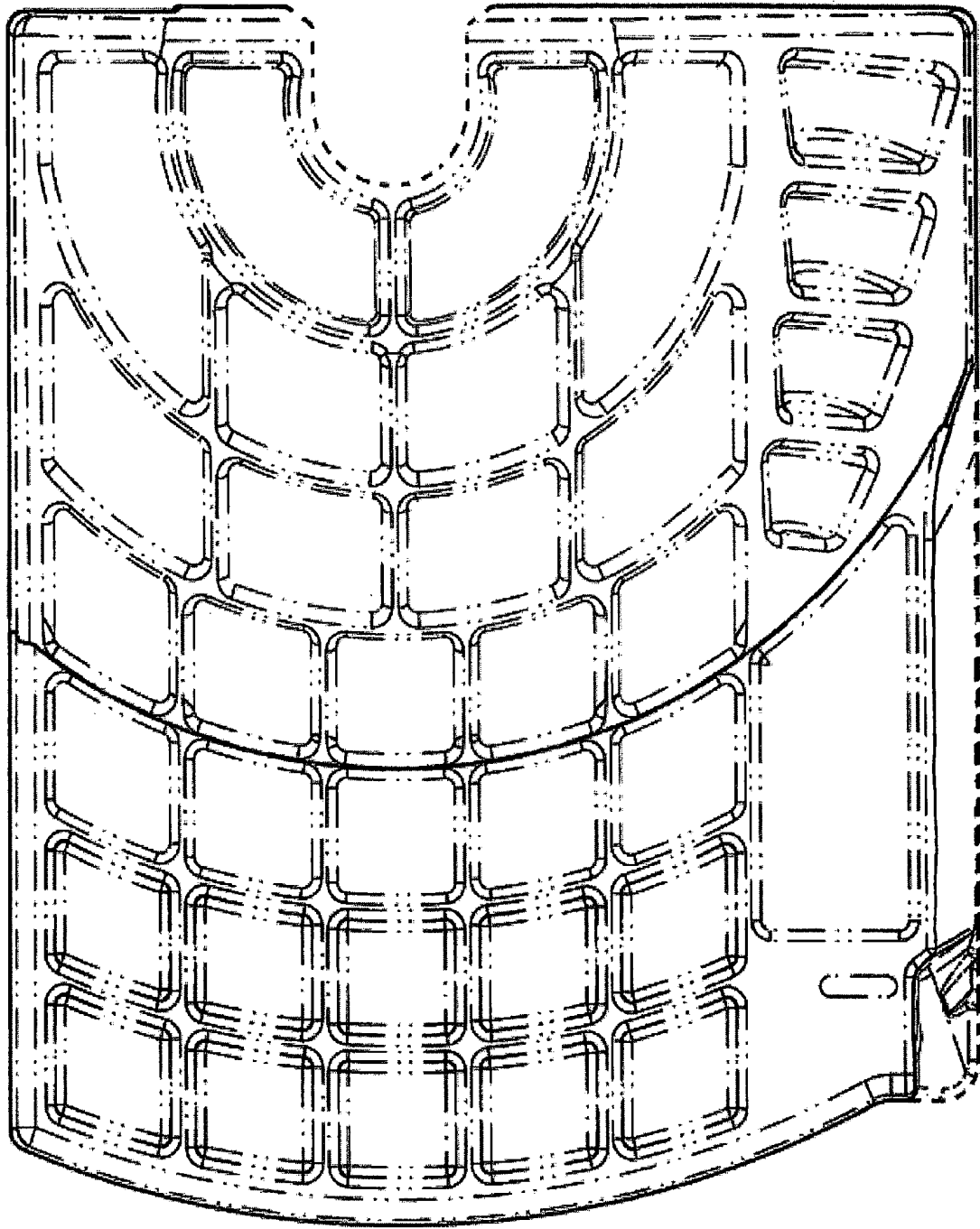


FIGURE 2

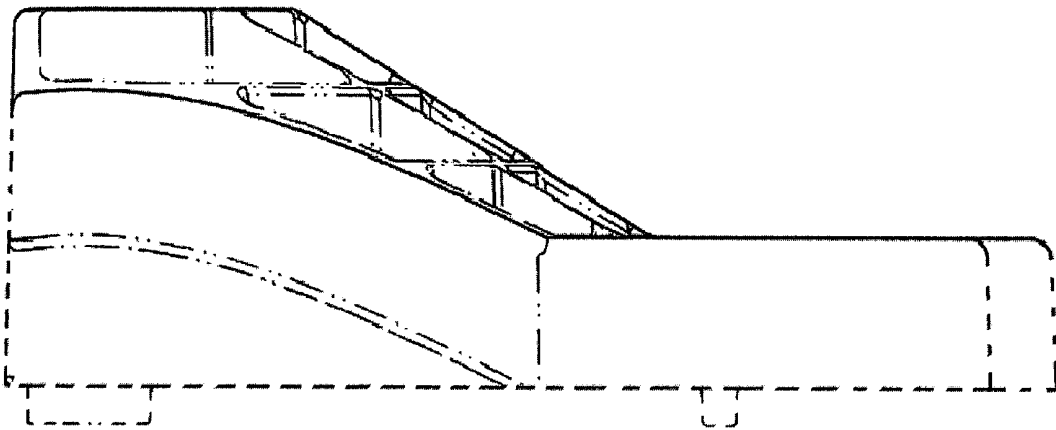


FIGURE 3

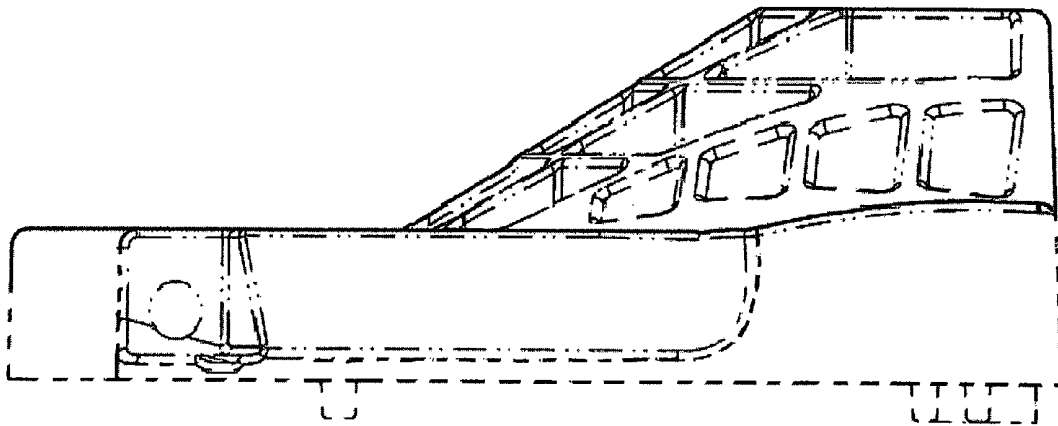


FIGURE 4

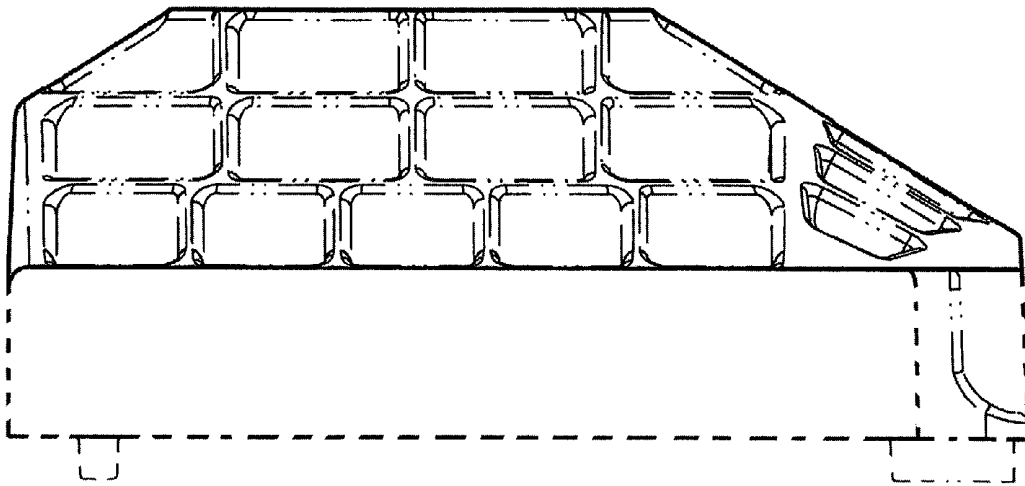


FIGURE 5

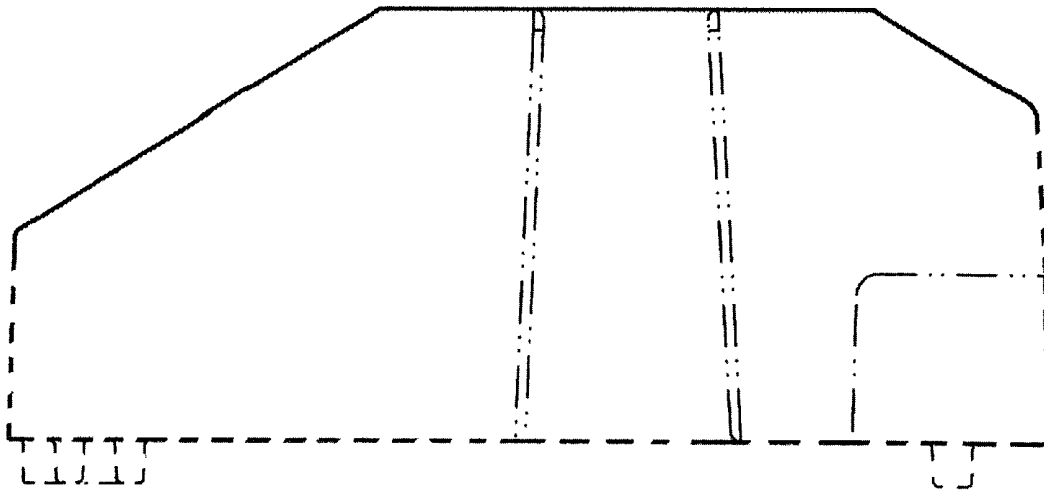


FIGURE 6

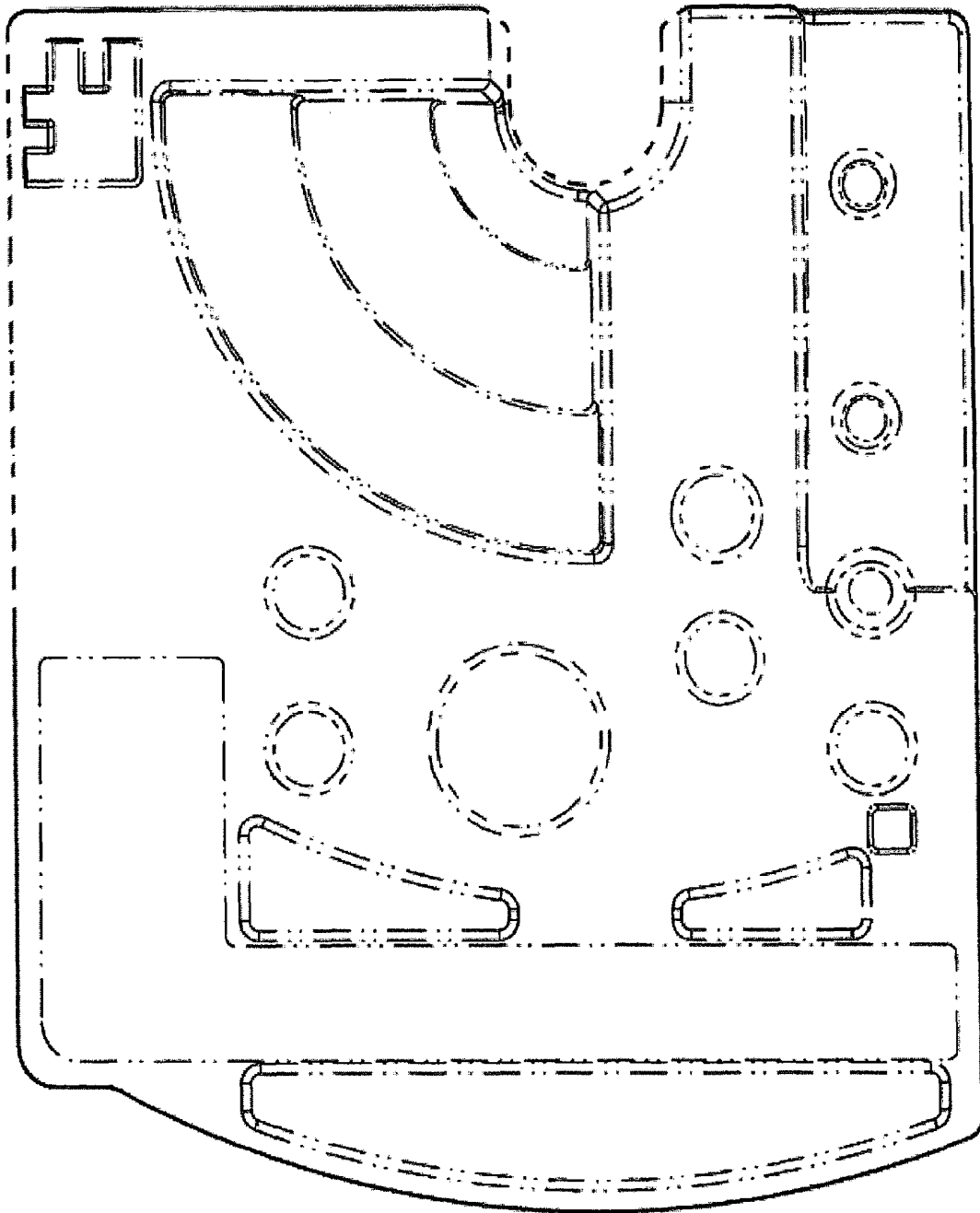


FIGURE 7

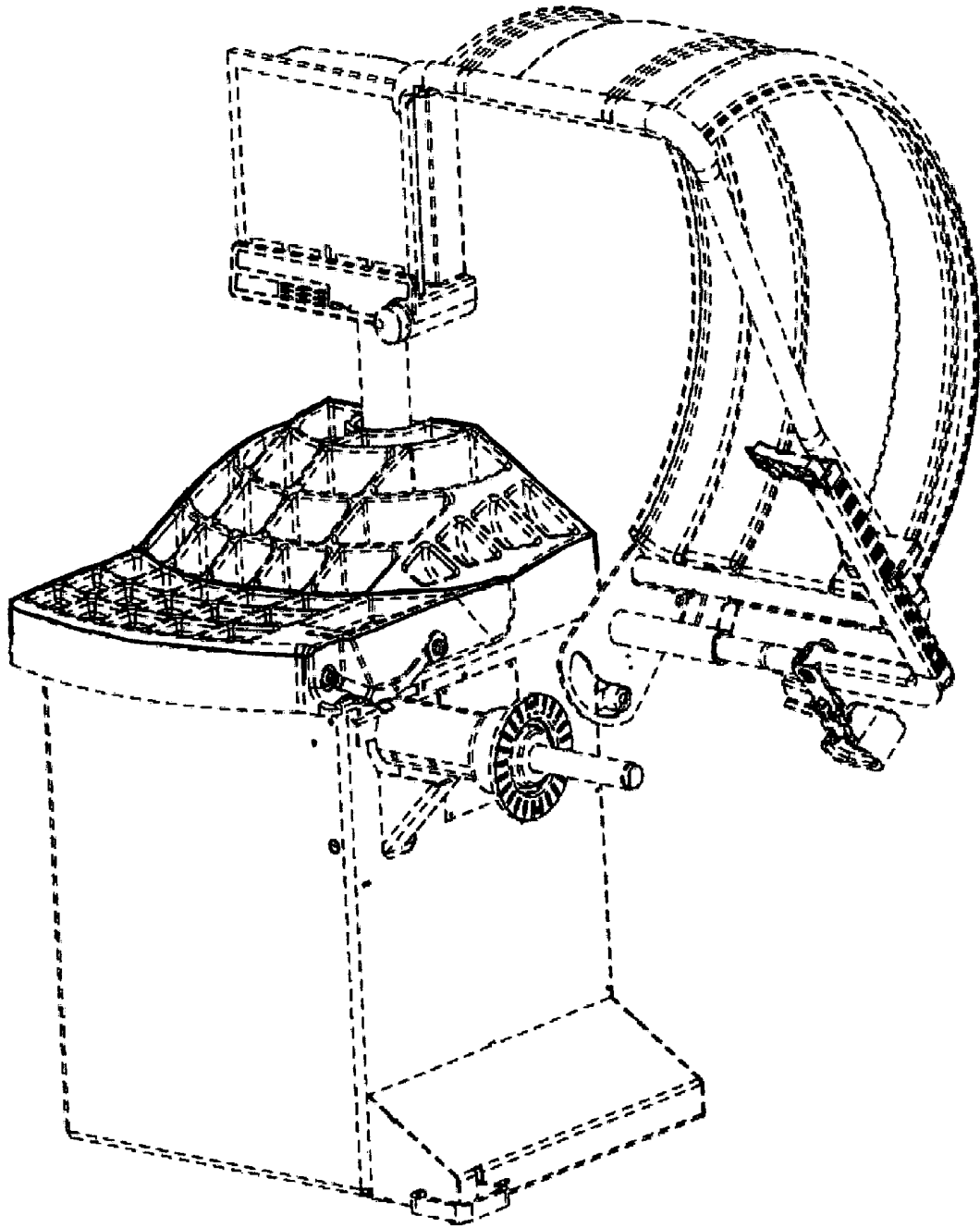


FIGURE 8