

SPECIFICATIONS



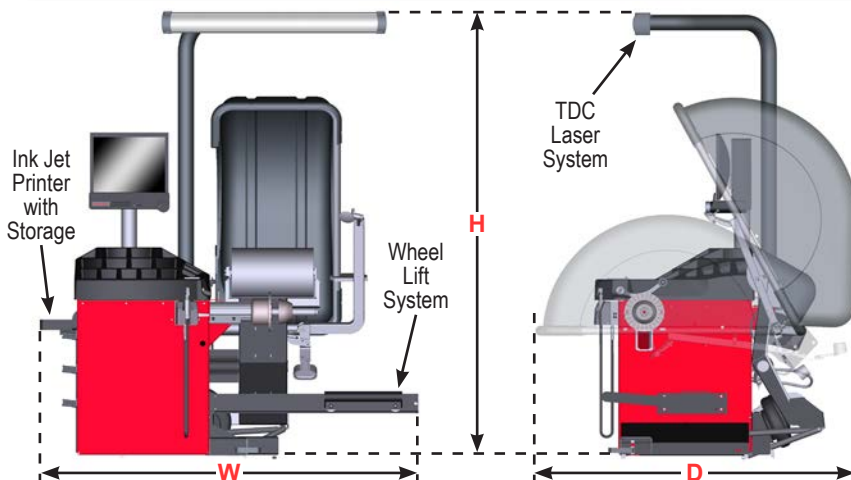
**RF33
Shown**

Power Requirements	196-253V, 10 amp, 50/60 Hz, 1 ph (Power cable includes: NEMA 20 amp plug, L6-20P)
Air Supply Requirements	100-175 psi (7-12 bar)
Roller Force	Variable up to 1,250 lbs (567 kg)
Capacity	
Rim Width	1.5 in to 20.5 in (38 mm to 521 mm)
Rim Diameter	10 in to 30 in (254 mm to 762 mm)*
ALU	14 in to 44 in (356 mm to 1118 mm)*
Max. Tire Diameter	40 in (1016 mm)
Max. Tire Width	20 in (508 mm)
Max. Tire Weight	175 lbs (79 kg)
Radial and Lateral Runout Accuracy	0.002 in (0.051 mm)
Imbalance Resolution	± 0.01 oz (0.28 g)
Placement Accuracy	512 positions, ± 0.35°
Balancing Speed	290-300 rpm
Motor	Programmable drive system and DC motor

* Extreme wheel sizes may require manual data entry.

MODEL FEATURES / DIMENSIONS

	RF33	RF32	RF31	RF30	RF23	RF22	RF21	RF20	RF13	RF12	RF11	RF10	RF03	RF02	RF01	RF00
Wheel Lift System	✓	✓	✓	✓					✓	✓	✓	✓				
AutoClamp® System	✓	✓	✓	✓	✓	✓	✓	✓								
TDC Laser System	✓	✓			✓	✓			✓	✓			✓	✓		
Ink Jet Print w/Storage	✓		✓		✓		✓		✓		✓		✓		✓	
Width (W)	72 in 1829 mm	66 in 1676 mm	72 in 1829 mm	66 in 1676 mm	65 in 1651 mm	58 in 1473 mm	65 in 1651 mm	56.5 in 1435 mm	72 in 1829 mm	66 in 1676 mm	72 in 1829 mm	66 in 1676 mm	65 in 1651 mm	56.5 in 1435 mm	65 in 1651 mm	56.5 in 1435 mm
Height (H)	89 in 2261 mm	89 in 2261 mm	73 in 1854 mm	73 in 1854 mm	89 in 2261 mm	89 in 2261 mm	73 in 1854 mm	73 in 1854 mm	89 in 2261 mm	89 in 2261 mm	73 in 1854 mm	73 in 1854 mm	89 in 2261 mm	89 in 2261 mm	73 in 1854 mm	73 in 1854 mm
Depth (D)	62 in 1575 mm	62 in 1575 mm	62 in 1575 mm	62 in 1575 mm	62 in 1575 mm	62 in 1575 mm	62 in 1575 mm	62 in 1575 mm	62 in 1575 mm	62 in 1575 mm	62 in 1575 mm	62 in 1575 mm	62 in 1575 mm	62 in 1575 mm	62 in 1575 mm	62 in 1575 mm
Weight	879 lb 399 kg	828 lb 376 kg	813 lb 369 kg	762 lb 346 kg	753 lb 342 kg	702 lb 318 kg	687 lb 312 kg	636 lb 288 kg	872 lb 396 kg	821 lb 372 kg	806 lb 366 kg	755 lb 342 kg	713 lb 323 kg	662 lb 300 kg	647 lb 293 kg	596 lb 270 kg



For balancer information visit:
www.hunter.com/balancer
 and
www.gsp9700.com

For local contact visit:
www.hunter.com/company/findrep.cfm

For general inquiries visit:
www.hunter.com
 or call
800-448-6848

Because of continuing technological advancements, specifications, models and options are subject to change without notice.