

PF Heavy Duty Alignment Pit System

Pit Rack



SPECIFICATIONS



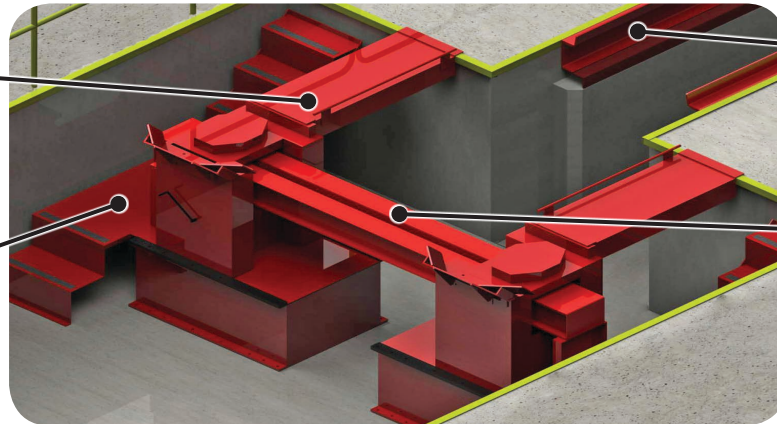
PF Pit Installation

(shown with optional T-pit (jack rail) and jack tray)

Site Specifications	
Std. Pit Construction	NO deep center, refer to Forms 752-T and 748-T
Tee Pit Construction	Refer to Forms 3507-T and 748-T (Kit 20-869-1)
Minimum Concrete Spec.	6 in. (152 mm) thick, 3000 PSI (20700 kPa) rating
Pre-Installation Kits ▲ Required before pouring pit. ▲	
Optional 20 FT T-Pit*	Kit 20-3107-1 (2 required for 20-869-2)
Optional +10 FT Jack Rail*	Kit 20-3107-1 (1 required for each 20-1517-2)
Product Specification	
Max. Front Axle Weight	18,000 lbs. (8165 kg)
Rear Axle Jack Rail (Optional T-Pit)*	Optional: Kit 20-869-1 (20 feet), Kit 20-1517-1 (additional 10 feet), jack tray 11-637-1, HD pit jack 133-77-2
Work Beam	100 tons (90 Mg)
Front Axle Track Width (inside and outside width)	Adjustable Pedestals and Runways 48 - 120 inches (1219 - 3048 mm)
Pit Depth	58 inches (1473 mm)

ADJUSTABLE PEDESTALS AND RUNWAYS
(to handle a wide range of track widths)

RISER AND PLATFORM
(to reach front wheels within the 58 inch pit)



REAR AXLE JACK RAIL (T-PIT) (optional PF pit feature)

100 TON (90 Mg) WORK BEAM (unique PF pit feature)

PF Pit Illustration

MODEL COMPARISON

Features	PT	PF	RKHD	PE	P44x
Capacity	Heavy Duty 18,000 lbs. / axle (8165 kg)	Heavy Duty 18,000 lbs. / axle (8165 kg)	Heavy Duty 20,000 lbs. / axle (9072 kg)	Medium Duty 10,000 lbs. / axle (4535 kg)	Light Duty 18,000 lbs. Total (8165 kg)
Axle Jack Rail	✓	optional T-Pit	optional jack tray	N/A	✓
Work Beam	N/A	✓	N/A	✓	N/A
Pit Depth	58 in. (1473 mm)	58 in. (1473 mm)	24 or 30 in. (610 mm or 762 mm)	36 in. (914 mm)	36 in. (30 & 24 in. available) (914, 762 or 610 mm)
Track Width (inside - outside width)	Adjustable Runways 48 in. - 120 in (1219 mm - 3048 mm)	Adjustable Runways 48 in. - 120 in (1219 mm - 3048 mm)	Fixed Runways 40 in. - 106 in. (1016 mm - 2692 mm)	Adjustable Runways 48 in. - 120 in (1219 mm - 3048 mm)	Fixed Runways 40 in. - 85 in. (1016 mm - 2159 mm)

Continued on Page 2

For lift rack information visit:
www.hunter.com/rack

For general inquiries visit:
www.hunter.com
or call
800-448-6848

For local contact visit:
www.hunter.com/company/findrep.cfm

PF Heavy Duty Alignment Pit System

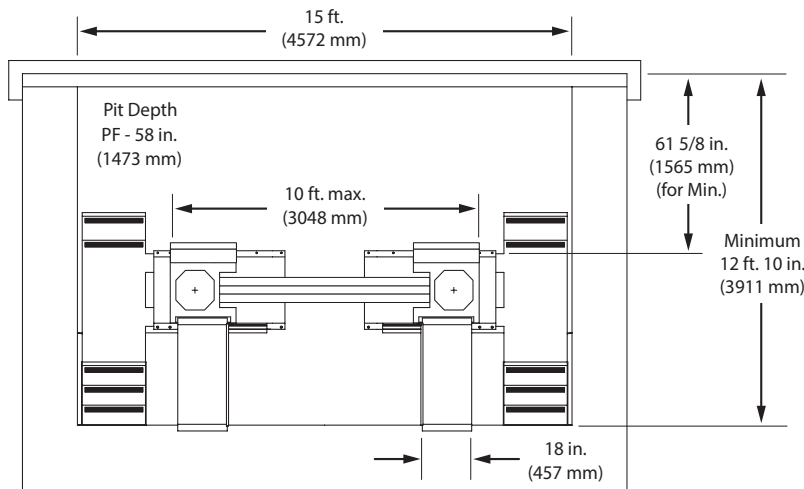
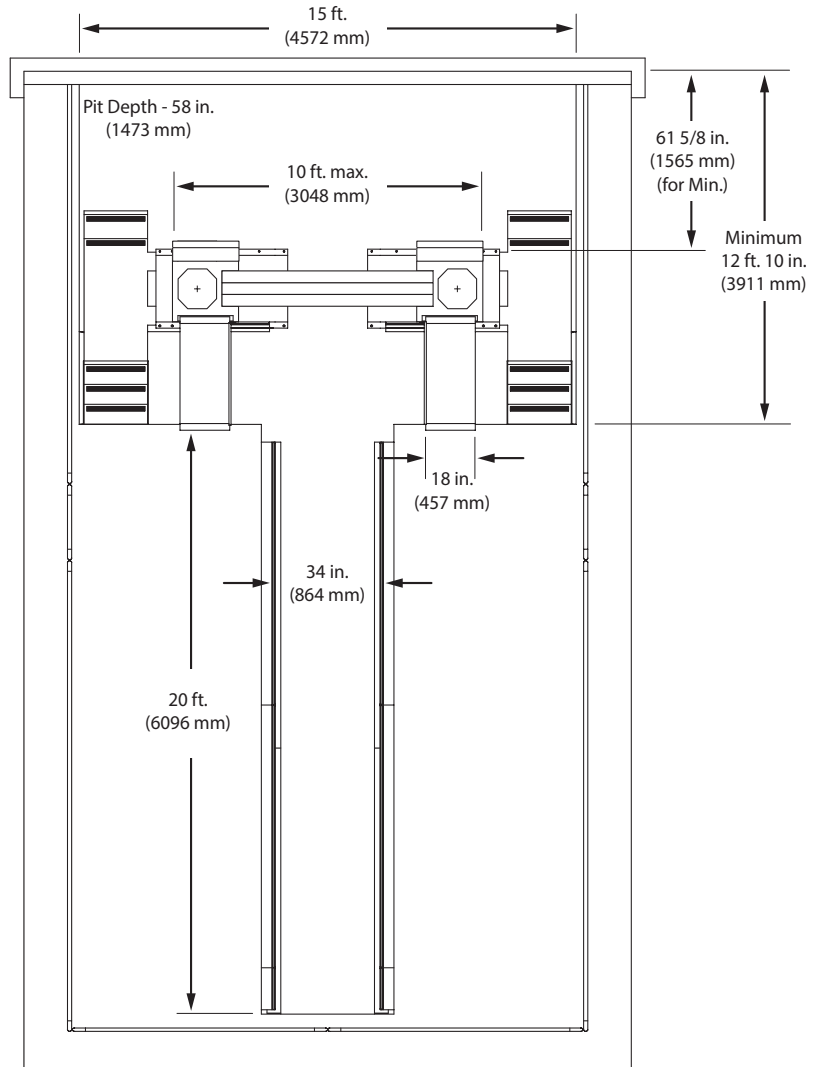
Pit Rack

HUNTER
Engineering Company

LAY-OUT ▲ Construct pit per referenced forms. ▲

PF Pit Layout with optional T-Pit

Kit 20-869-1 (20 feet) shown
Kit 20-1517-1 (+10 feet) not shown



PF Pit Layout without optional T-Pit

The following items are to be supplied by the customer:

Concrete to construct pit / Concrete reinforcement / Electrical fixtures, wiring, and power (if necessary) / Piping / Pit ventilation materials / Drainage materials / Edging (see blue prints) / Railings / lifting equipment for installation.