



US00D570888S

(12) **United States Design Patent** (10) **Patent No.:** **US D570,888 S**
Altnether (45) **Date of Patent:** **** Jun. 10, 2008**

(54) **VEHICLE WHEEL BALANCER CONSOLE BEZEL**
(75) Inventor: **Paul J. Altnether**, St. Louis, MO (US)
(73) Assignee: **Hunter Engineering Company**,
Bridgeton, MO (US)
(**) Term: **14 Years**
(21) Appl. No.: **29/243,205**

Primary Examiner—Sandra Snapp
Assistant Examiner—Patricia Palasik
(74) *Attorney, Agent, or Firm*—Polster, Lieder, Woodruff & Lucchesi, L.C.

(57) **CLAIM**

The ornamental design for a vehicle wheel balancer console bezel, as shown and described.

DESCRIPTION

(51) **LOC (8) Cl.** **15-99**
(52) **U.S. Cl.** **D15/199**
(58) **Field of Classification Search** D14/135,
D14/156, 157, 188; D15/199; 73/146, 462,
73/487; 82/1.11, 112; 340/10.42, 933; 353/13,
353/69, 70; 701/32, 35
See application file for complete search history.

FIG. 1 is a perspective view of the vehicle wheel balancer console bezel of the present invention in the environment of a vehicle wheel balancer flat-panel display console, shown in phantom, which forms no part of the invention, the console bezel overlaps the lower front edge of the flat-panel display, optionally a plurality of buttons and knobs are disposed on the console bezel, as shown in phantom, and which form no part of the invention;

(56) **References Cited**

U.S. PATENT DOCUMENTS

D440,219	S *	4/2001	Dysart	D14/188
6,622,551	B2 *	9/2003	Ruhl et al.	73/146
D489,355	S *	5/2004	Yeh	D14/188
6,732,585	B1 *	5/2004	Cunningham et al.	73/487
6,907,781	B2 *	6/2005	Racine	73/462
6,917,875	B2 *	7/2005	Boysen et al.	701/114
6,982,653	B2 *	1/2006	Voeller et al.	701/32
7,090,354	B2 *	8/2006	Engle et al.	353/70
D550,637	S *	9/2007	Iwamoto et al.	D14/157
2005/0108871	A1 *	5/2005	Boni et al.	73/462
2006/0284147	A1 *	12/2006	Matteucci et al.	73/487
2008/0053223	A1 *	3/2008	Montanari	73/462

FIG. 2 is a front view of the embodiment shown in FIG. 1;
FIG. 3 is a left side view of the embodiment shown in FIG. 1;

FIG. 4 is a right side view of the embodiment shown in FIG. 1;

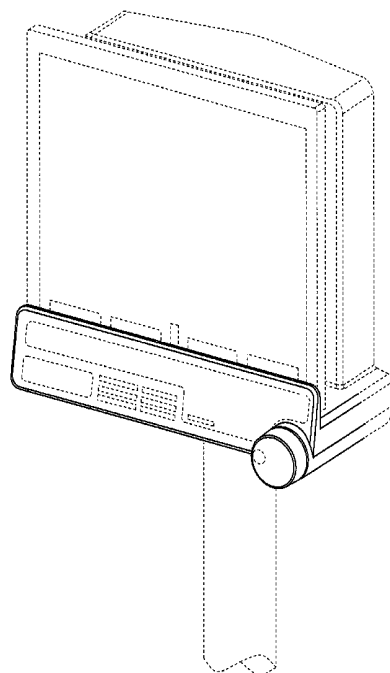
FIG. 5 is a bottom plan view of the embodiment shown in FIG. 1;

FIG. 6 is a top plan view of the embodiment shown in FIG. 1; and,

FIG. 7 is a back plan view of the embodiment shown in FIG. 1.

* cited by examiner

1 Claim, 6 Drawing Sheets



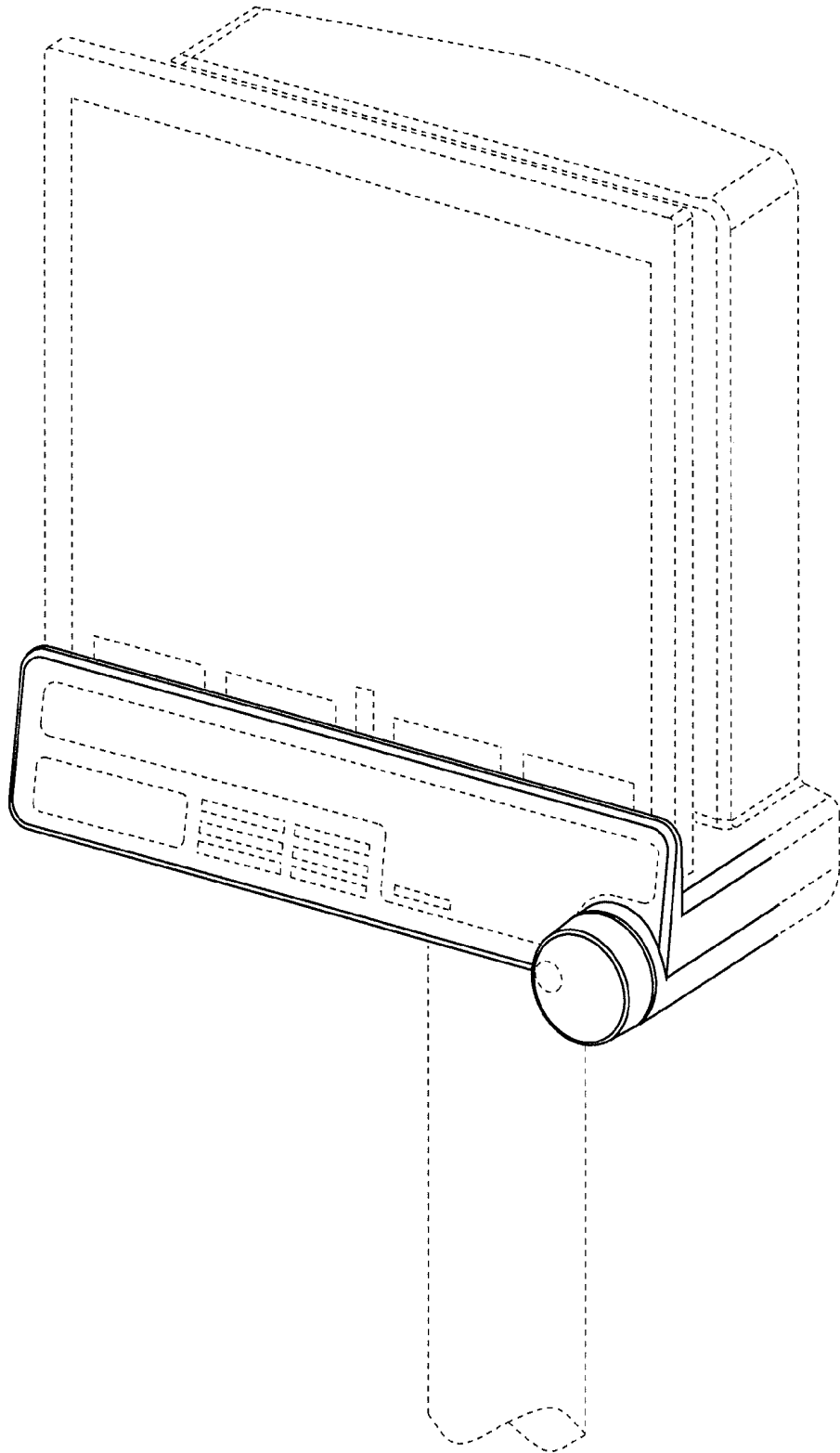


FIG. 1

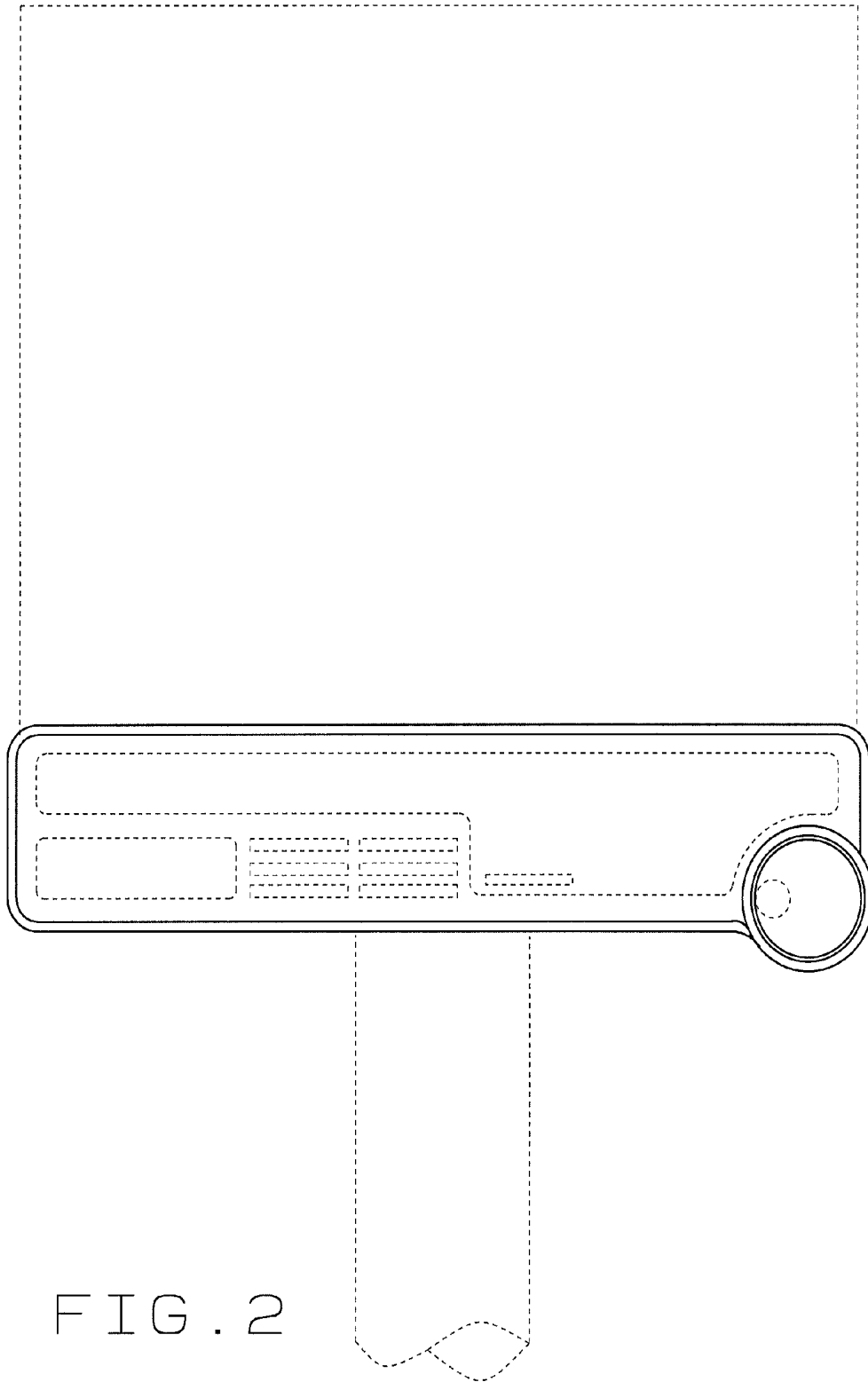


FIG. 2

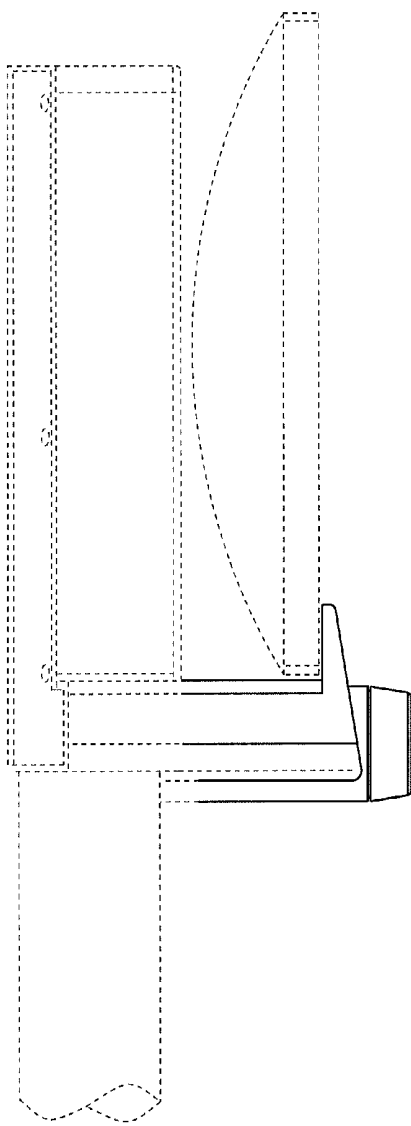


FIG. 3

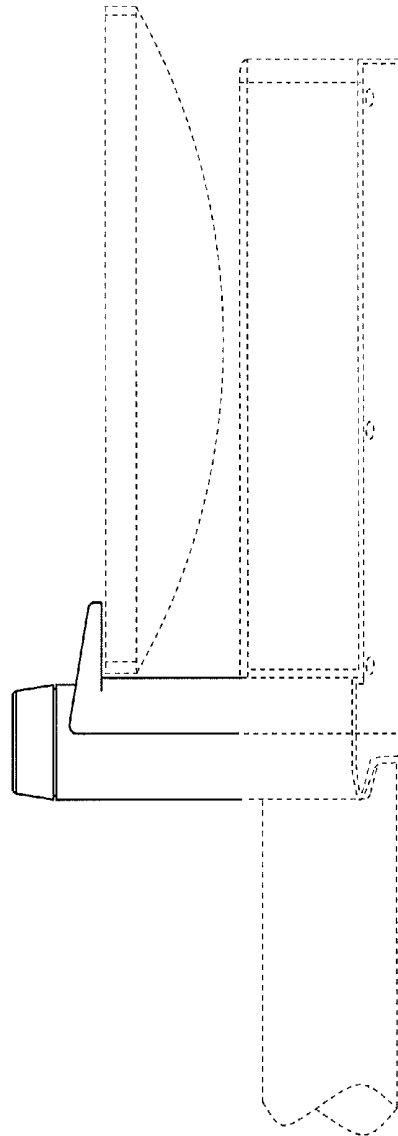


FIG. 4

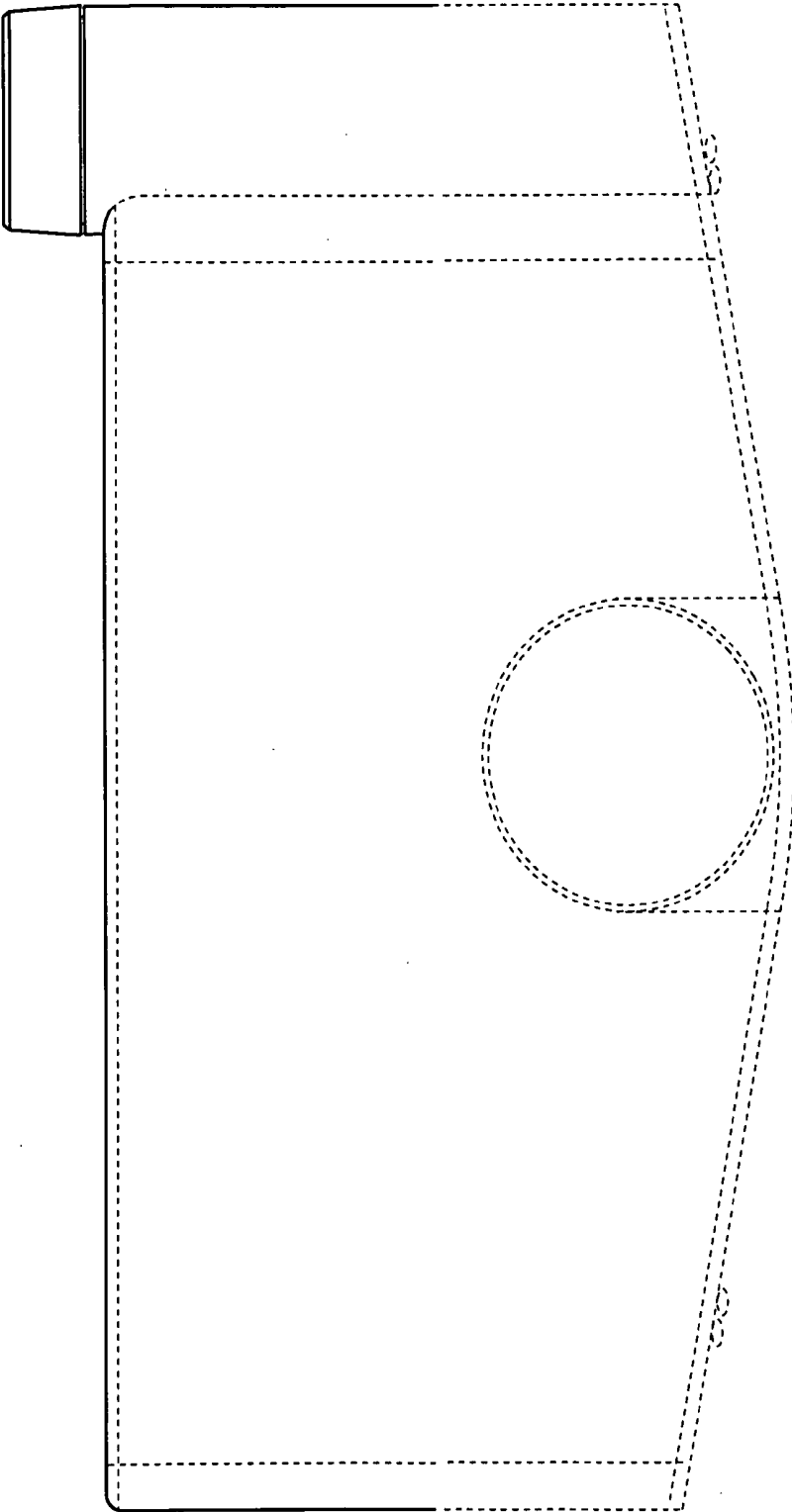


FIG. 5

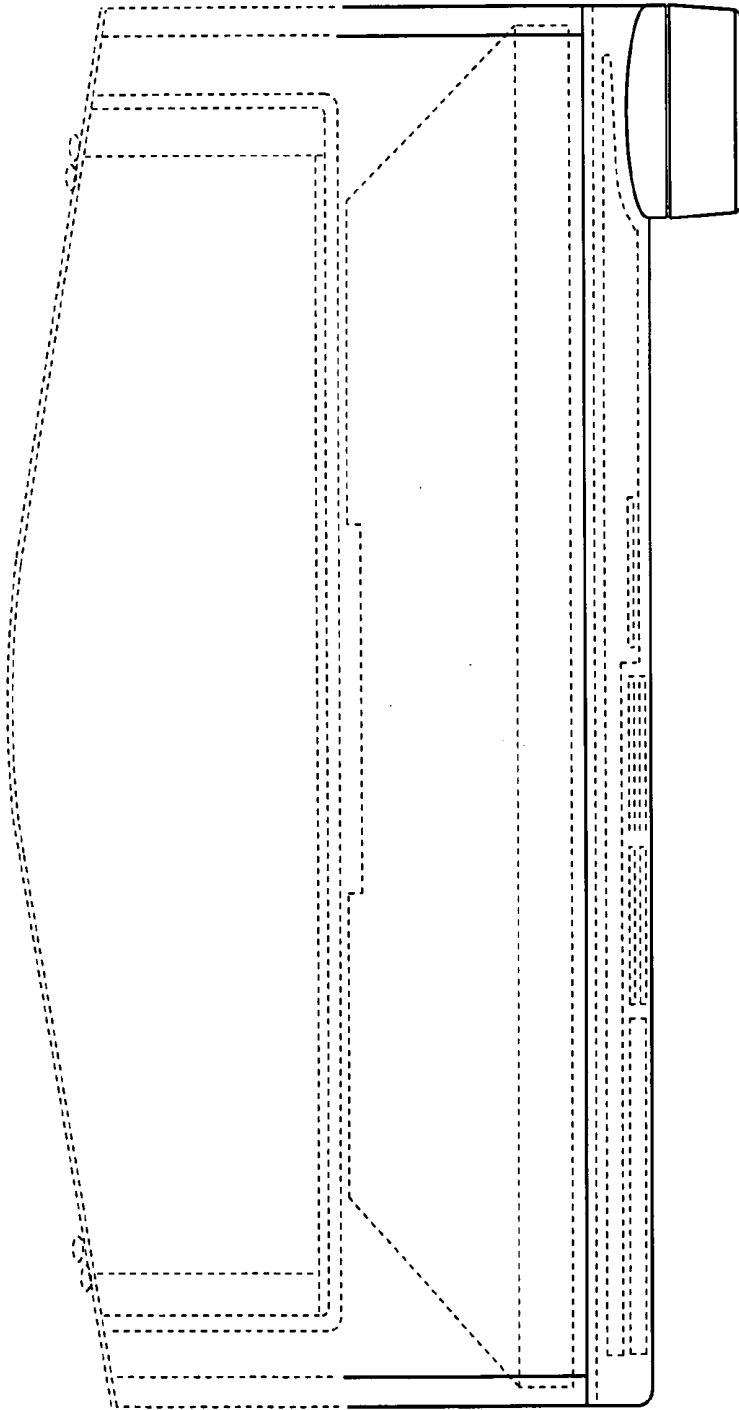


FIG. 6

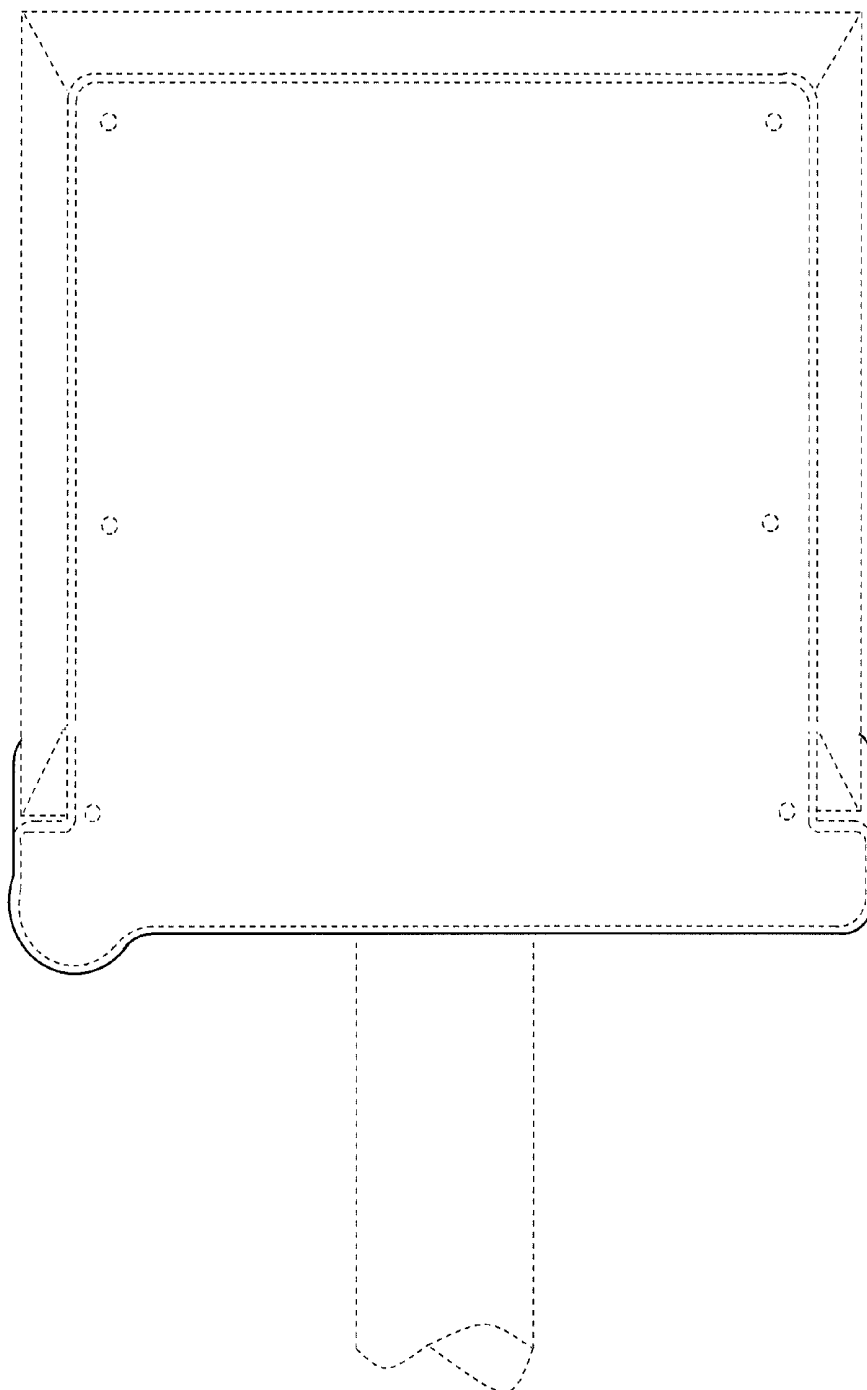


FIG. 7