



US00D816012S

(12) **United States Design Patent** (10) **Patent No.:** **US D816,012 S**
Linson (45) **Date of Patent:** **** Apr. 24, 2018**

(54) **SENSOR MOUNTING ADAPTER BASE FOR HEAVY DUTY VEHICLE REAR WHEEL ASSEMBLY**

D654,423	S	*	2/2012	Geils	D12/412
D656,932	S	*	4/2012	Wikel	D12/415
D663,726	S	*	7/2012	Gourley	D14/251
D726,640	S	*	4/2015	Frey	D12/415
D756,987	S	*	5/2016	Taing	D14/253
2014/0138419	A1	*	5/2014	Minn	B60R 11/0241 224/567

(71) Applicant: **Hunter Engineering Company**, St. Louis, MO (US)

* cited by examiner

(72) Inventor: **Dennis Linson**, St. Charles, MO (US)

Primary Examiner — Katrina A Betton

(73) Assignee: **Hunter Engineering Company**, St. Louis, MO (US)

(74) *Attorney, Agent, or Firm* — Sandberg, Phoenix & Von Gontard, P.C.

(**) Term: **15 Years**

(57) **CLAIM**

(21) Appl. No.: **29/586,900**

The ornamental design for sensor mounting adapter base for heavy duty vehicle rear wheel assembly, as shown and described.

(22) Filed: **Dec. 7, 2016**

DESCRIPTION

(51) **LOC (11) Cl.** **12-16**

(52) **U.S. Cl.**

USPC **D12/412**

(58) **Field of Classification Search**

USPC D12/412, 406, 413, 414, 414.1; D6/552; D3/304-306

CPC B60R 9/04; B60R 9/048; B60R 9/045

See application file for complete search history.

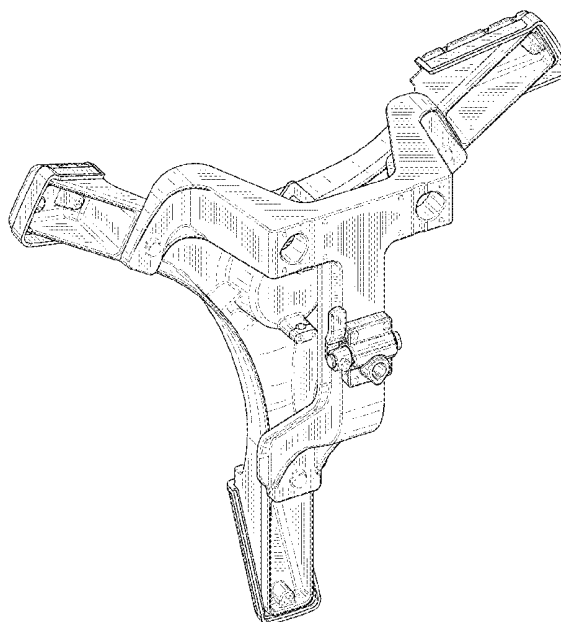
FIG. 1 is a front perspective view of the sensor mounting adapter base for a heavy duty vehicle rear wheel assembly; FIG. 2 is a rear perspective view of the sensor mounting adapter base; FIG. 3 is a front plan view of the sensor mounting adapter base; FIG. 4 is a rear plan view of the sensor mounting adapter base; FIG. 5 is a left side plan view of the sensor mounting adapter base; FIG. 6 is a right side plan view of the sensor mounting adapter base; FIG. 7 is a top plan view of the sensor mounting adapter base; and, FIG. 8 is a bottom plan view of the sensor mounting adapter base. Features shown in phantom in the drawings form no part of the claimed design.

(56) **References Cited**

U.S. PATENT DOCUMENTS

5,735,410	A	*	4/1998	Kallstrom	B60R 9/10 211/20
5,988,402	A	*	11/1999	Mayfield	B62H 3/04 211/20
6,640,979	B1	*	11/2003	Mayfield	B62H 3/00 211/20
7,150,359	B1	*	12/2006	Lyons	B62H 3/08 211/20
D602,420	S	*	10/2009	Kuschmeader	D12/408
D619,079	S	*	7/2010	Bailo	D12/416

1 Claim, 6 Drawing Sheets



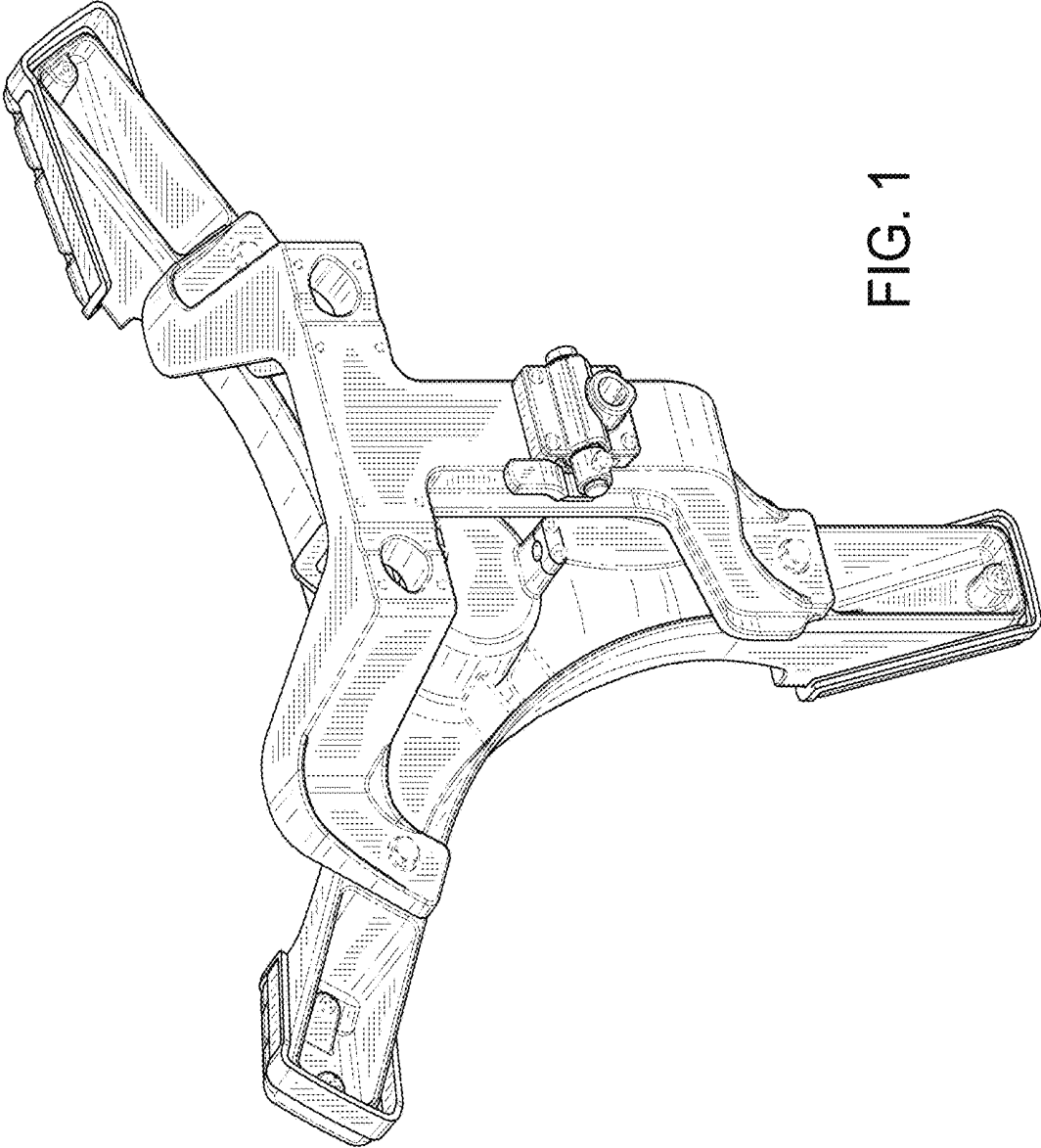


FIG. 1

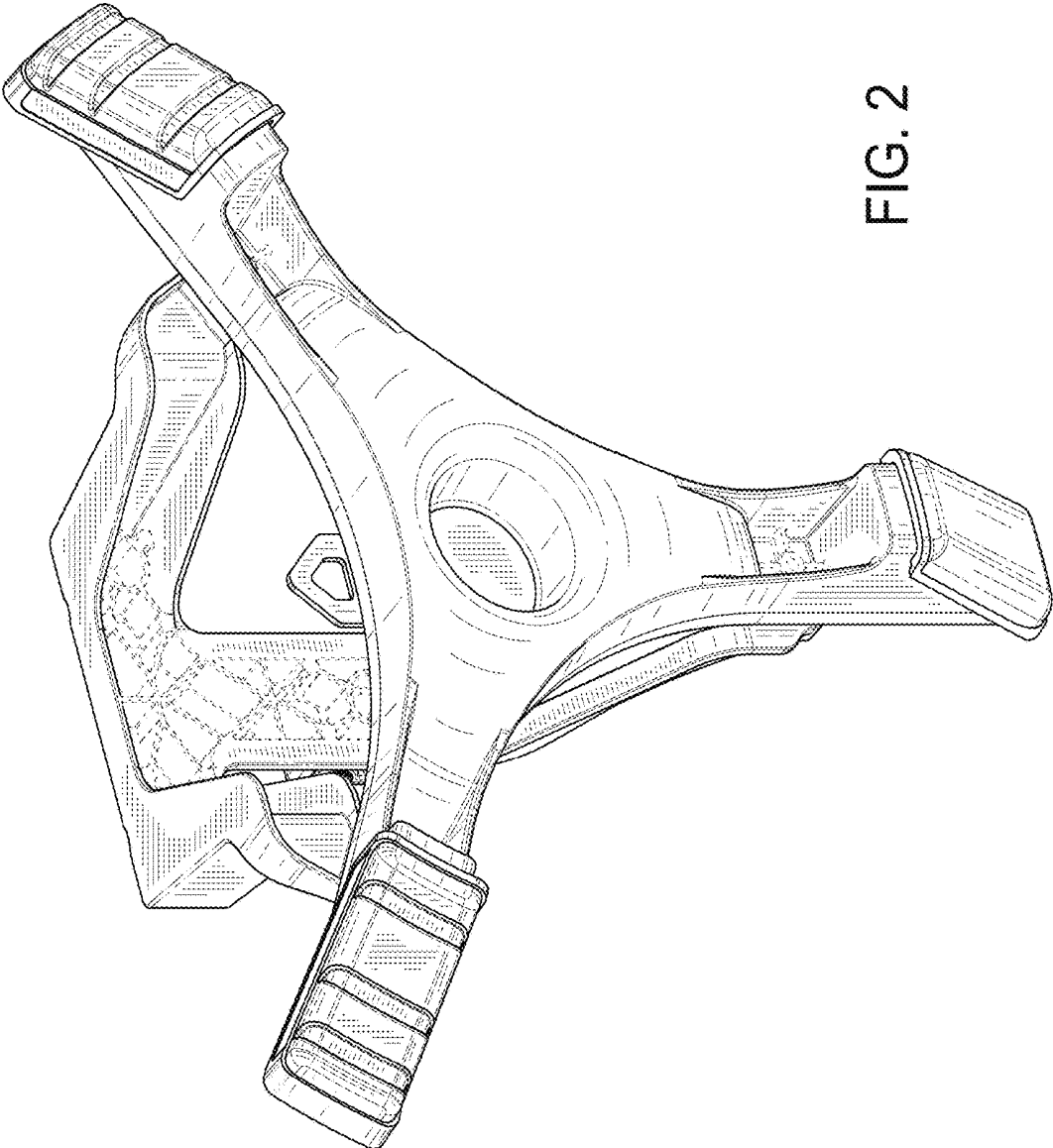


FIG. 2

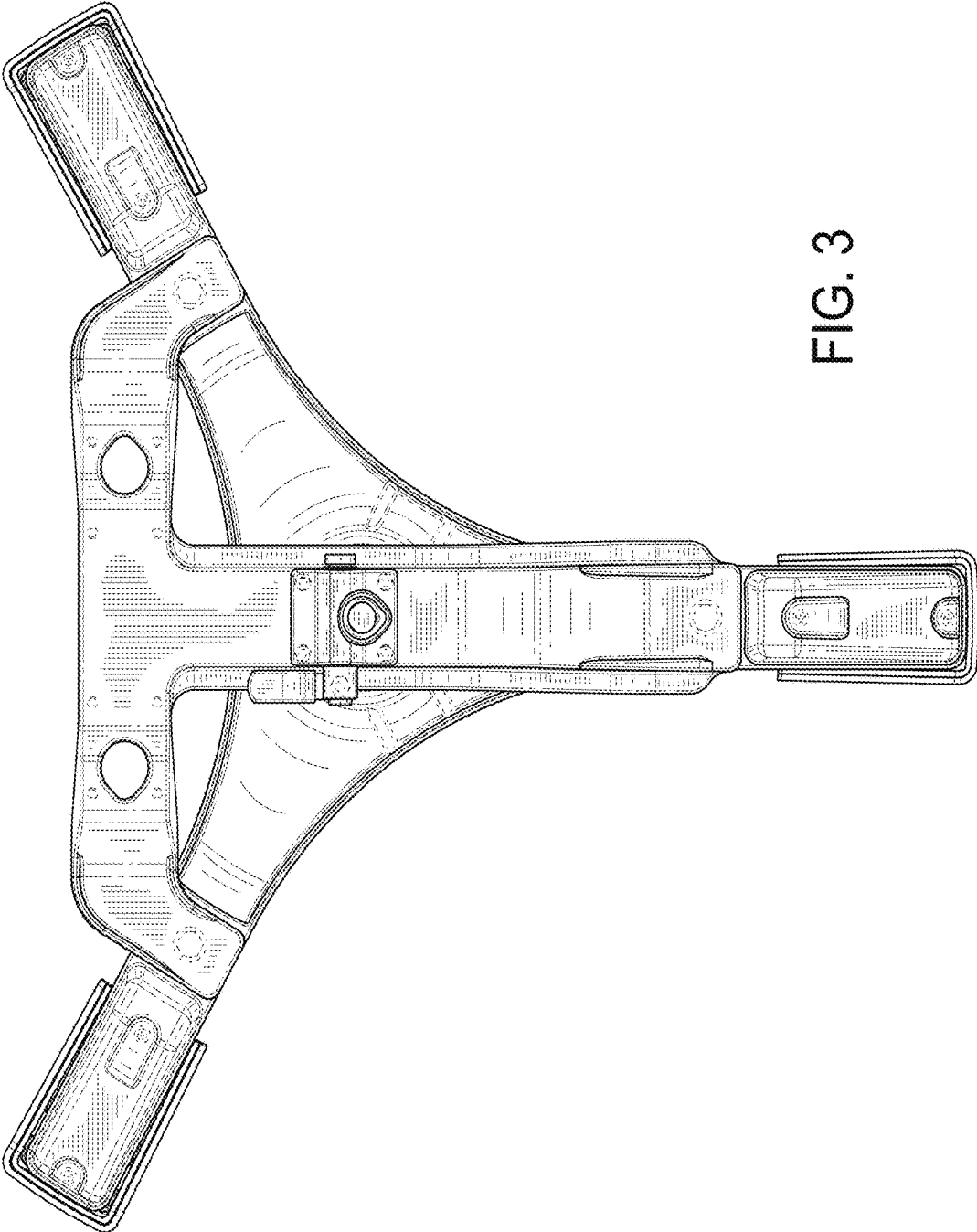


FIG. 3

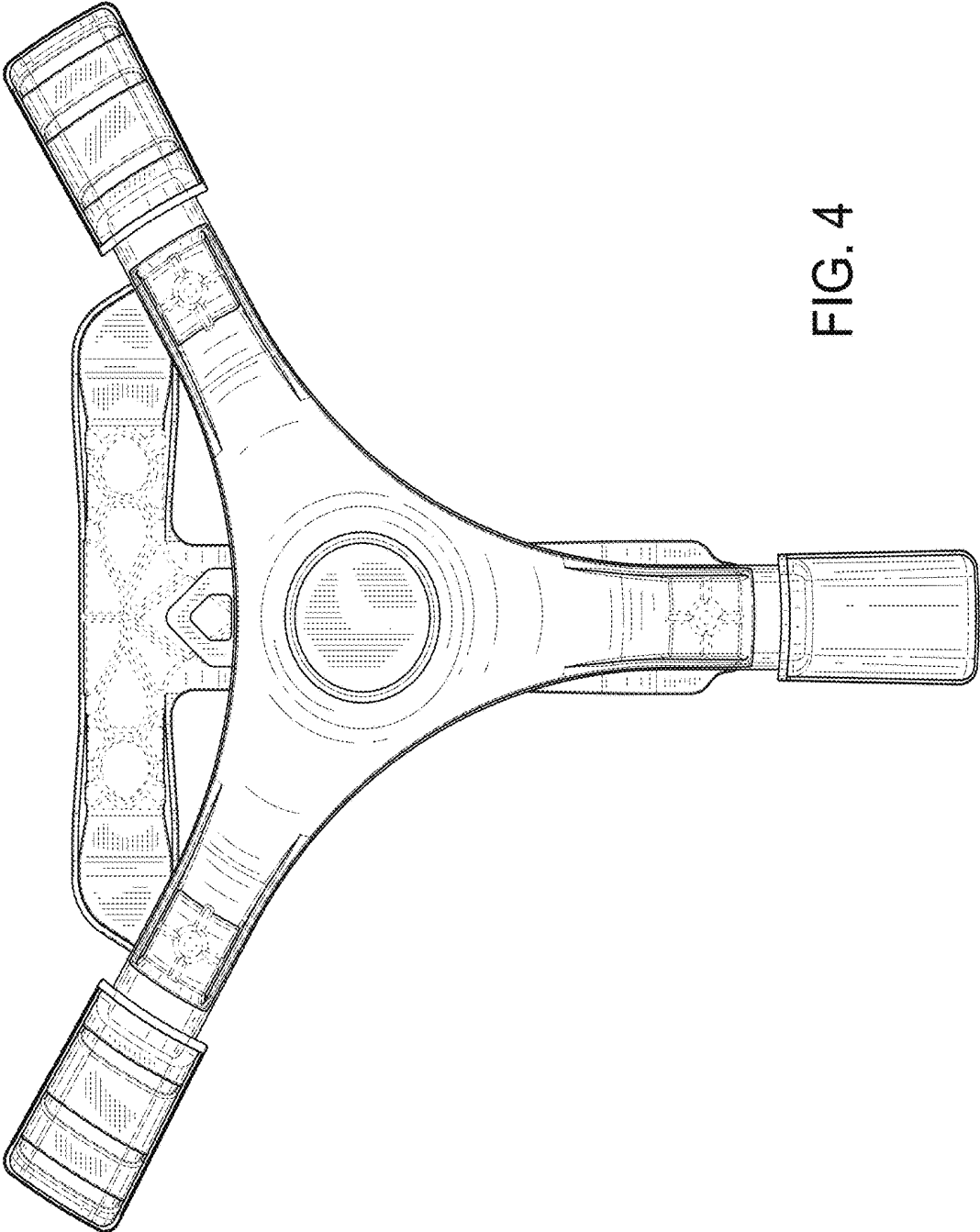


FIG. 4

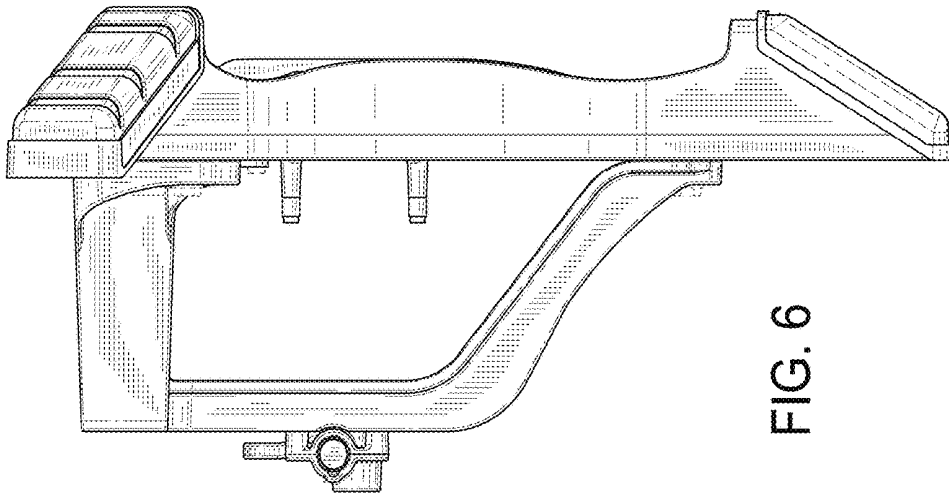


FIG. 6

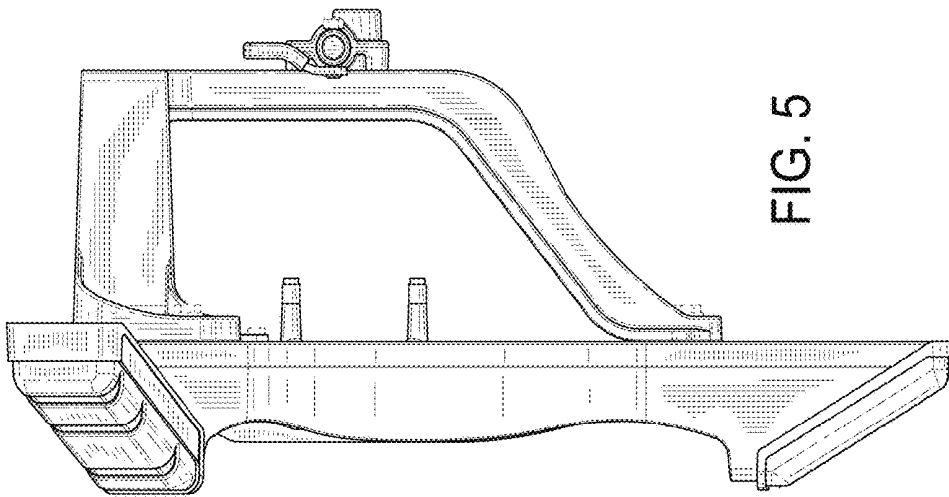


FIG. 5

