



US00D819466S

(12) **United States Design Patent** (10) **Patent No.:** **US D819,466 S**  
**Linson et al.** (45) **Date of Patent:** **\*\* Jun. 5, 2018**

(54) **WHEEL ALIGNMENT TARGET** 8,341,848 B2\* 1/2013 Stieff ..... G01B 11/2755  
 33/203.18

(71) Applicant: **Hunter Engineering Company**, St. Louis, MO (US) \* cited by examiner

(72) Inventors: **Dennis M. Linson**, St. Charles, MO (US); **Nicholas J. Colarelli, III**, Frontenac, MO (US) *Primary Examiner* — Antoine Duval Davis  
 (74) *Attorney, Agent, or Firm* — Sandberg Phoenix

(73) Assignee: **Hunter Engineering Company**, St. Louis, MO (US)

(\*\*) Term: **15 Years**

(21) Appl. No.: **29/599,511**

(22) Filed: **Apr. 4, 2017**

(51) **LOC (11) Cl.** ..... **10-04**

(52) **U.S. Cl.**  
 USPC ..... **D10/65; D10/102**

(58) **Field of Classification Search**  
 USPC ..... D10/65, 102  
 CPC .. G01B 11/275; G01B 21/26; G01B 2210/30;  
 G01B 11/2755; G01B 2210/14; G01M  
 17/013; B60R 11/00; B60R 2011/004  
 See application file for complete search history.

(56) **References Cited**

U.S. PATENT DOCUMENTS

- D554,543 S 11/2007 Meyer
- D636,003 S 4/2011 Linson et al.
- D667,037 S 9/2012 Linson et al.

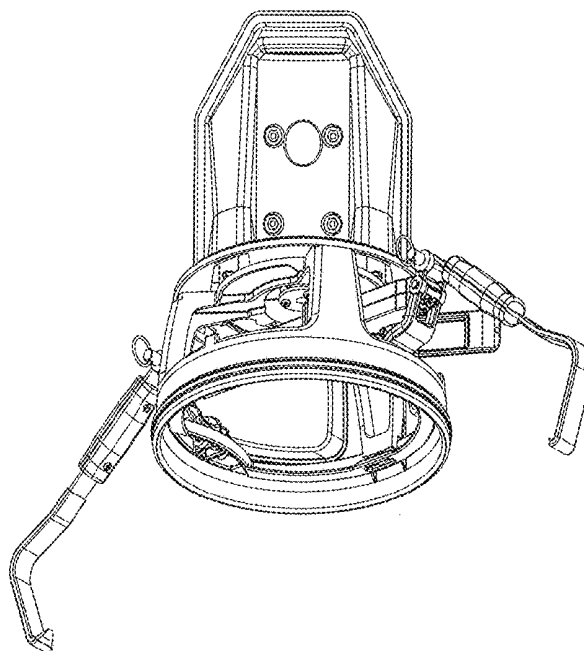
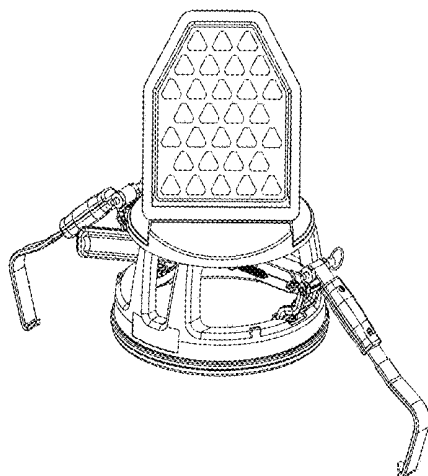
(57) **CLAIM**

The ornamental design for a wheel alignment target, as shown and described.

**DESCRIPTION**

FIG. 1 is a front perspective view of the wheel alignment target;  
 FIG. 2 is a rear perspective view of the wheel alignment target;  
 FIG. 3 is a front plan view of the wheel alignment target;  
 FIG. 4 is a rear plan view of the wheel alignment target;  
 FIG. 5 is top plan view of the wheel alignment target;  
 FIG. 6 is bottom plan view of the wheel alignment target;  
 FIG. 7 is a right side plan view of the wheel alignment target; and,  
 FIG. 8 is a left side plane view of the wheel alignment target.  
 Broken lines, if any, shown within the drawings illustrate features that form no part of the claimed design.

**1 Claim, 8 Drawing Sheets**



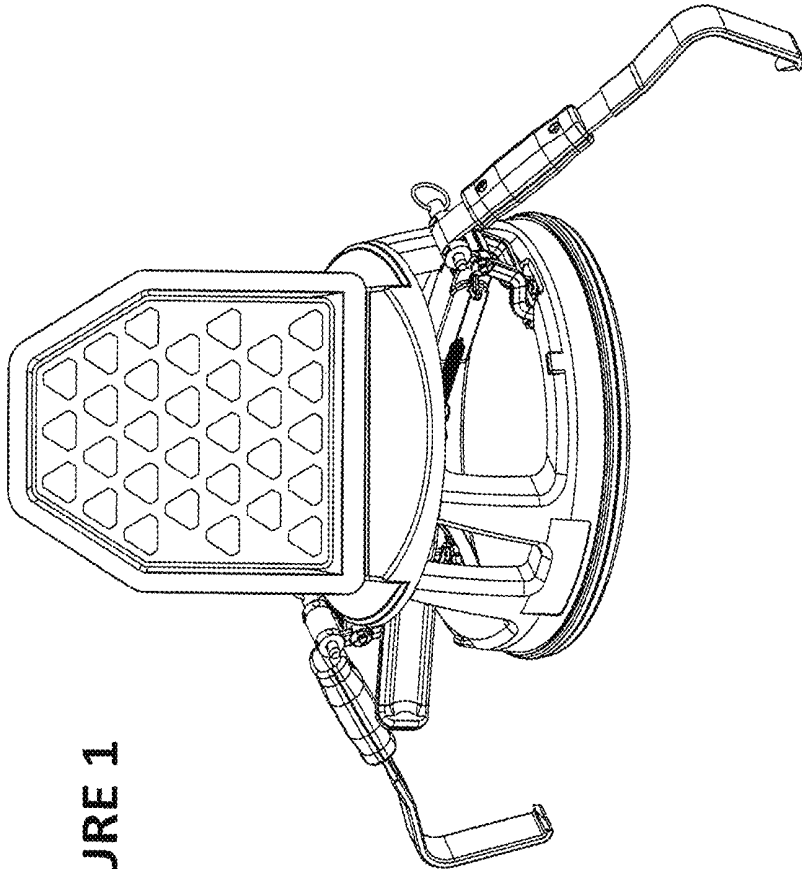


FIGURE 1

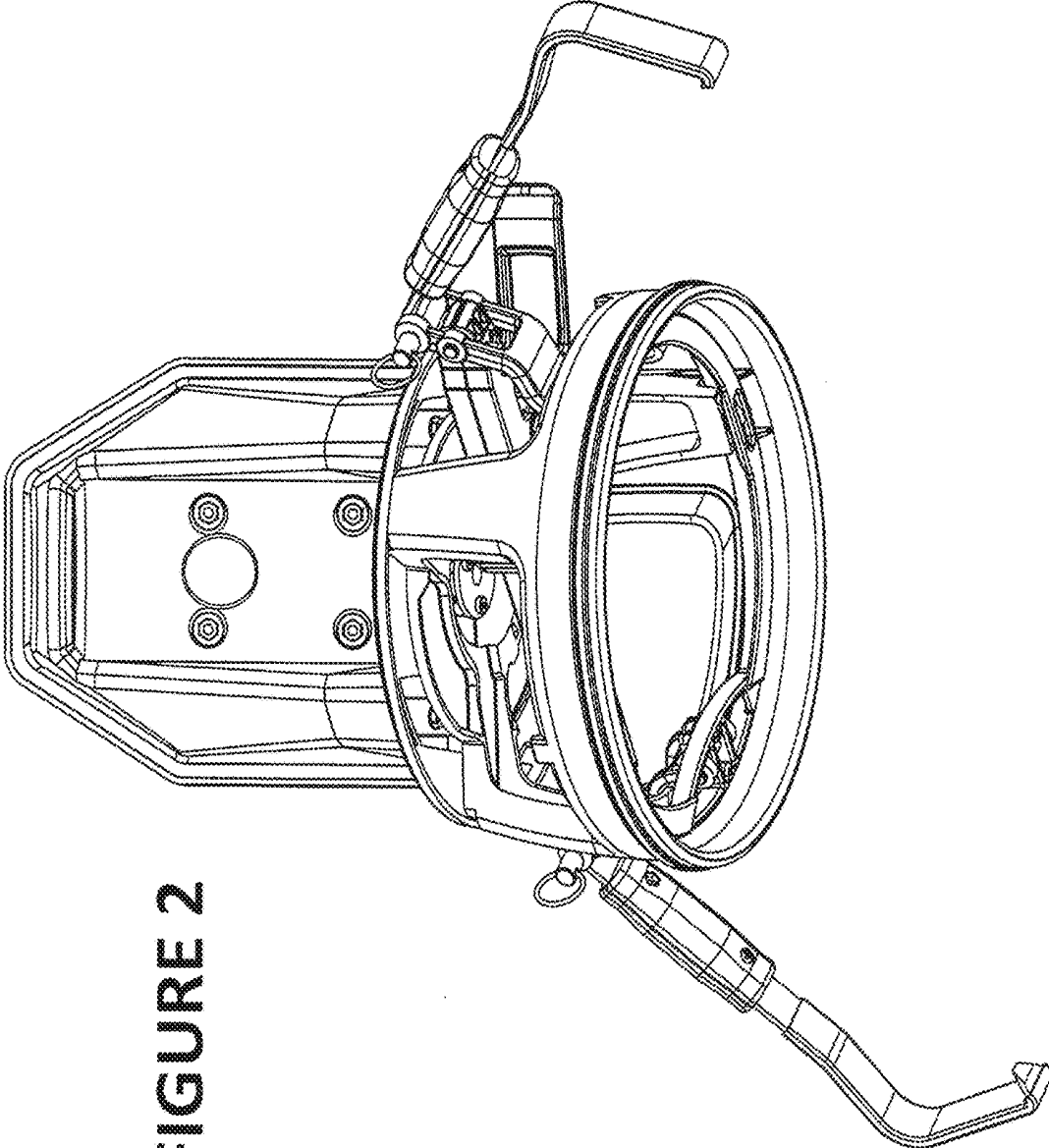
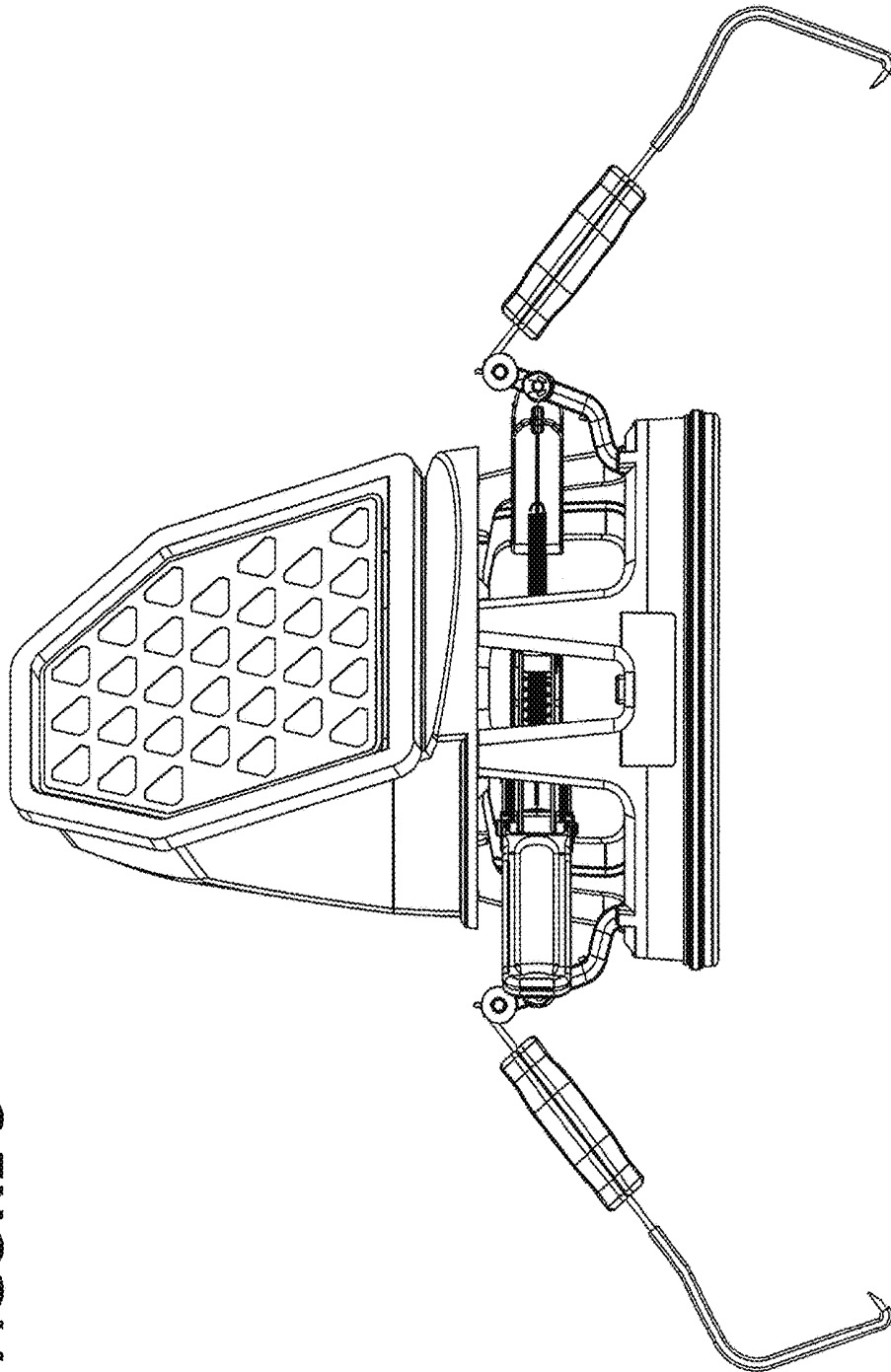


FIGURE 2

FIGURE 3



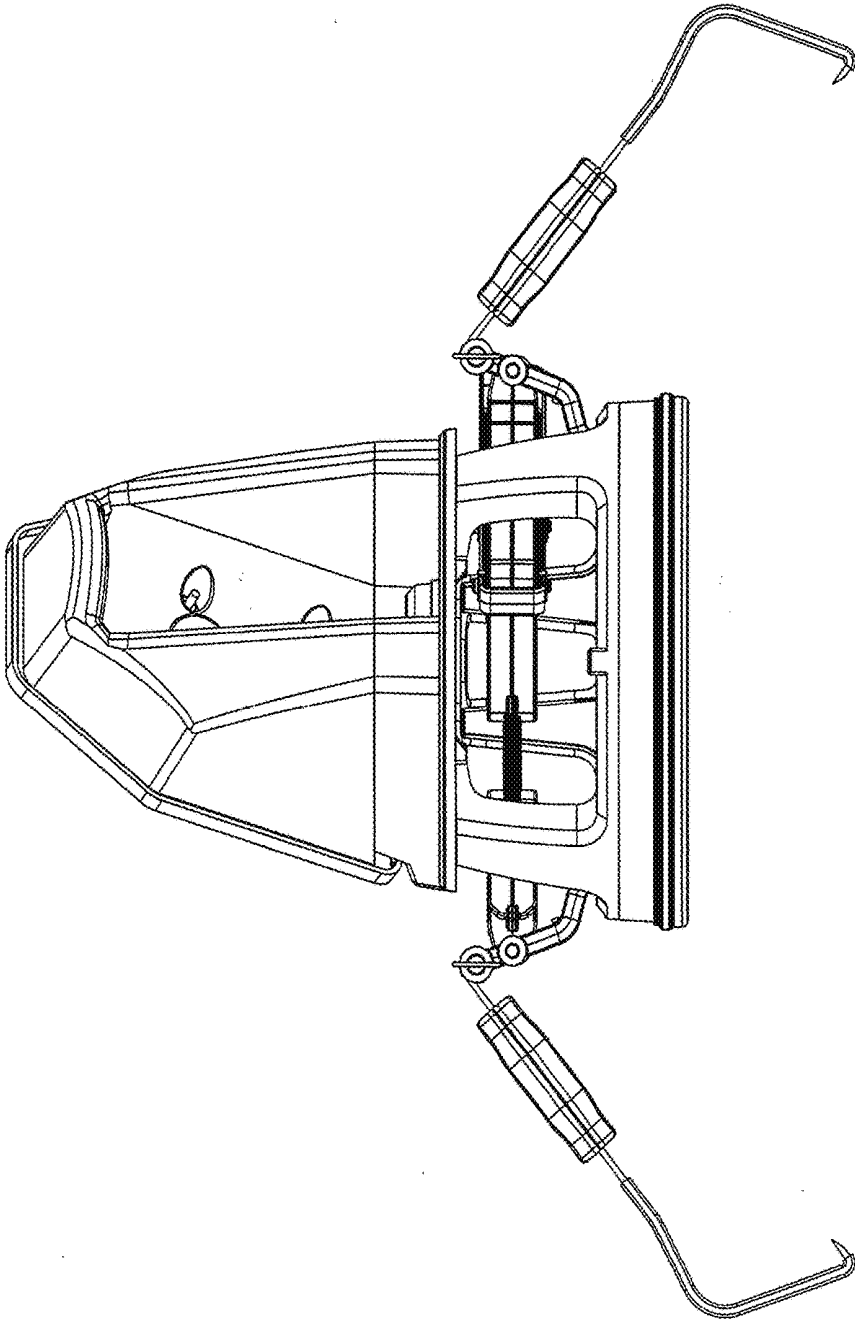


FIGURE 4

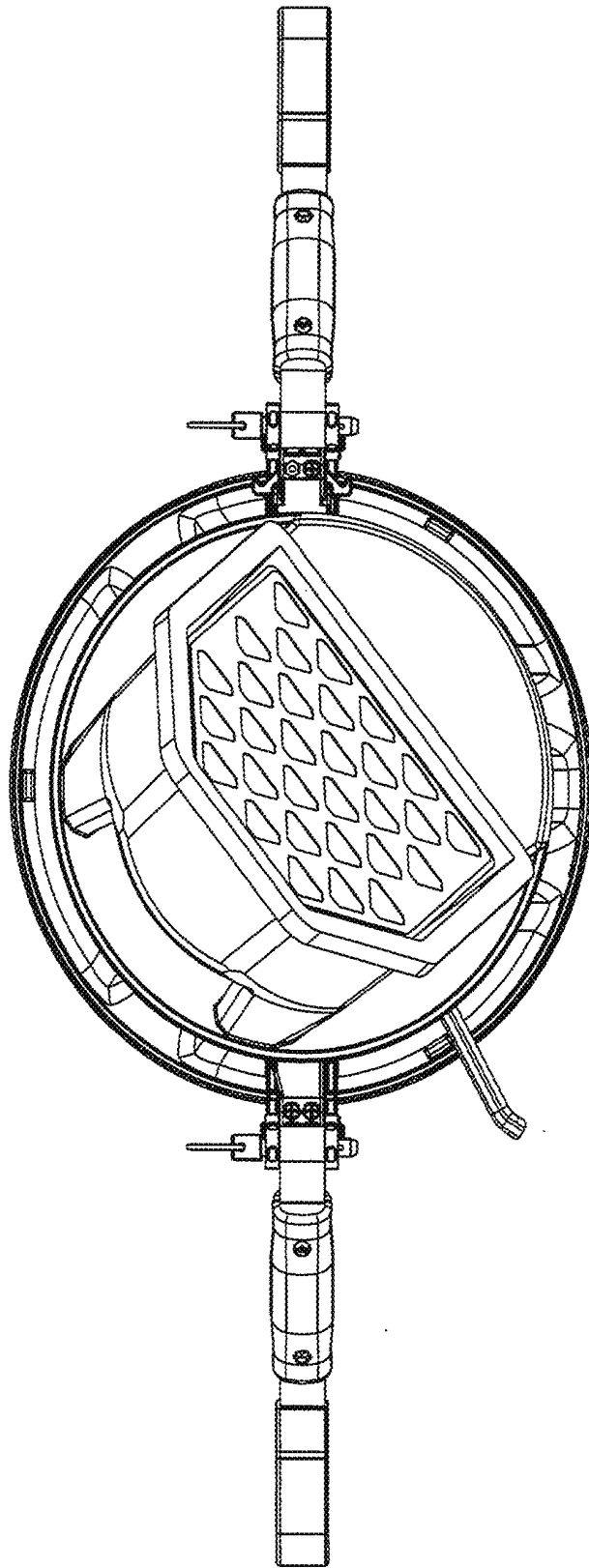


FIGURE 5

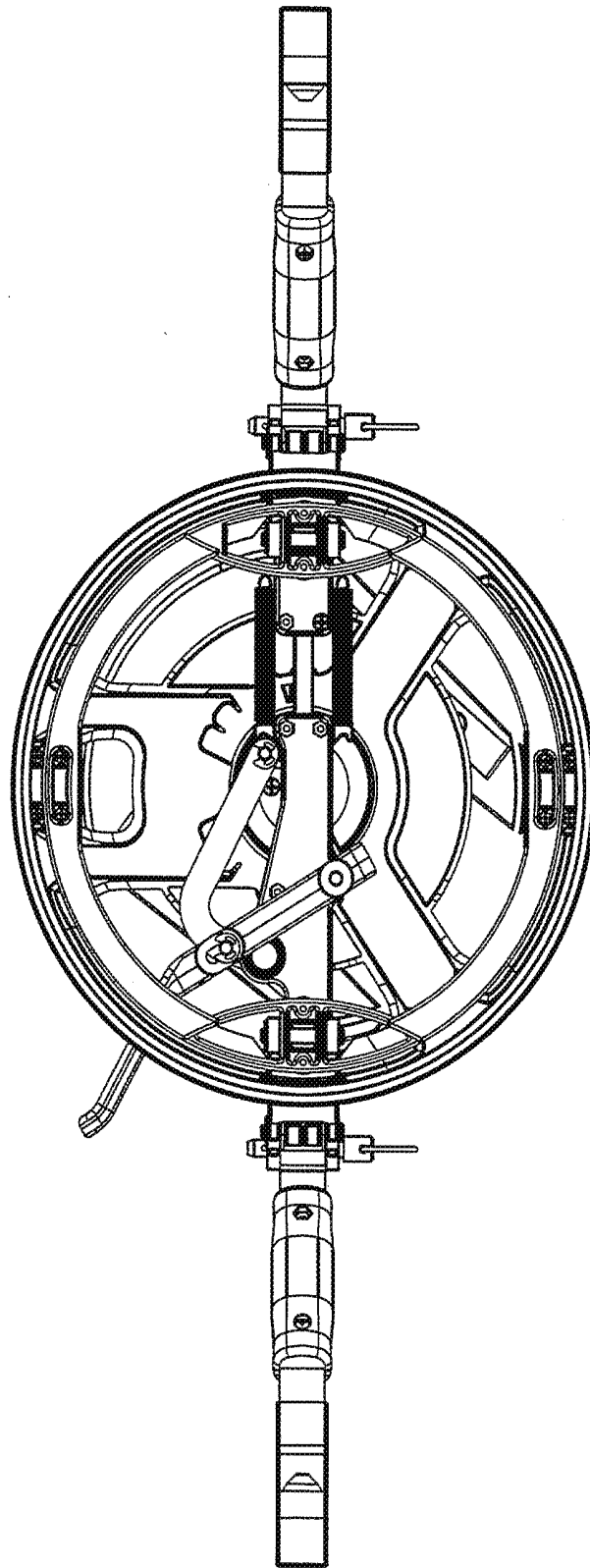
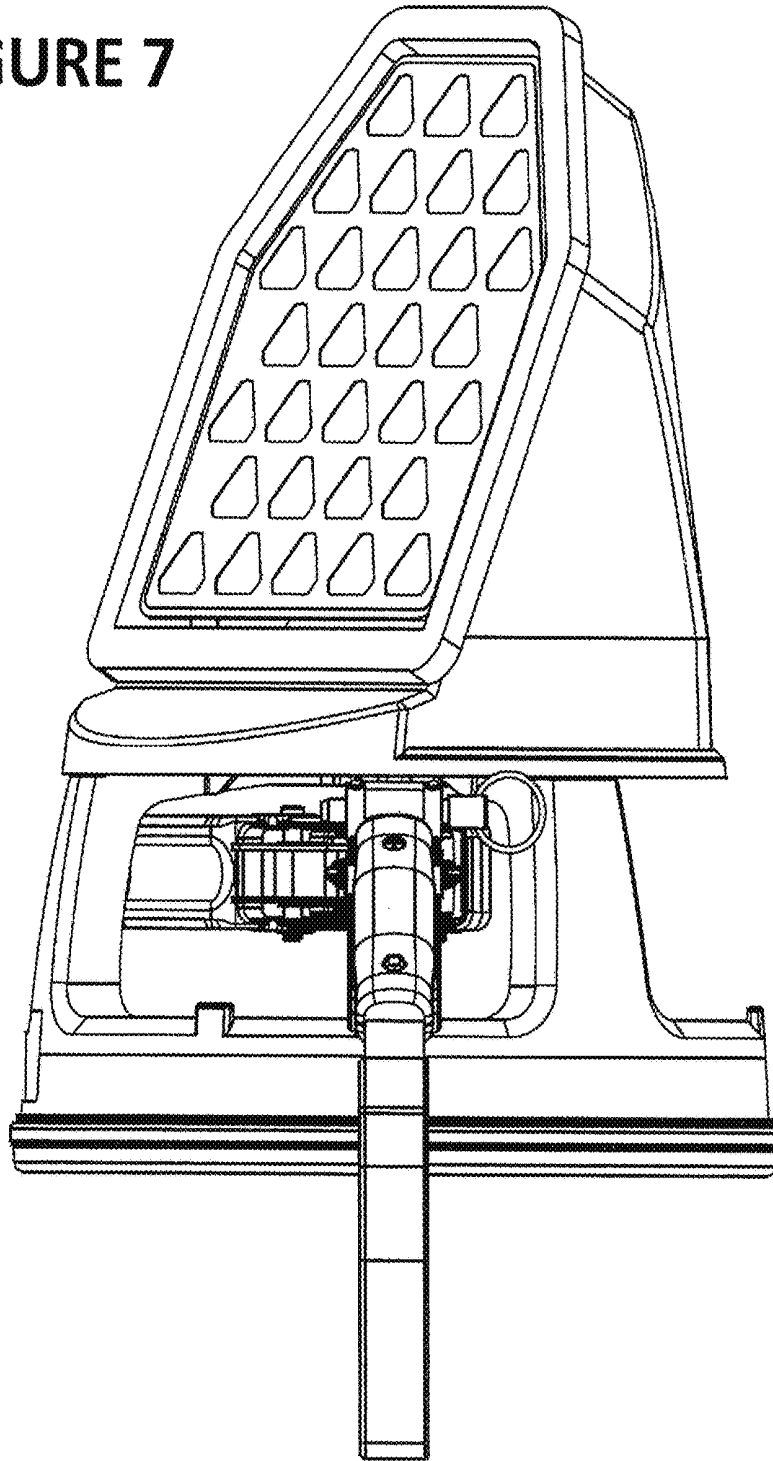


FIGURE 6

**FIGURE 7**





**FIGURE 8**

