



US00D819467S

(12) **United States Design Patent**
Linson et al.

(10) **Patent No.:** **US D819,467 S**
(45) **Date of Patent:** **** Jun. 5, 2018**

(54) **WHEEL ALIGNMENT TARGET BODY**

7,583,372 B2* 9/2009 Shylanski G01B 11/2755
356/139.09

(71) Applicant: **Hunter Engineering Company**, St. Louis, MO (US)

D636,003 S 4/2011 Linson et al.

D667,037 S 9/2012 Linson et al.

8,553,236 B2* 10/2013 Dorrance G01B 11/2755
356/620

(72) Inventors: **Dennis M. Linson**, St. Charles, MO (US); **Nicholas J. Colarelli, III**, Frontenac, MO (US)

* cited by examiner

(73) Assignee: **Hunter Engineering Company**, St. Louis, MO (US)

Primary Examiner — Antoine Duval Davis

(74) *Attorney, Agent, or Firm* — Sandberg Phoenix

(**) Term: **15 Years**

(57) **CLAIM**

The ornamental design for a wheel alignment target body, as shown and described.

(21) Appl. No.: **29/599,516**

(22) Filed: **Apr. 4, 2017**

DESCRIPTION

(51) **LOC (11) Cl.** **10-04**

(52) **U.S. Cl.**

USPC **D10/65**; D10/102

(58) **Field of Classification Search**

USPC D10/65, 102

CPC .. G01B 11/275; G01B 21/26; G01B 2210/30; G01B 11/2755; G01B 2210/14; G01M 17/013; B60R 11/00; B60R 2011/004

See application file for complete search history.

FIG. 1 is a front perspective view of the wheel alignment target body;

FIG. 2 is a rear perspective view of the wheel alignment target body;

FIG. 3 is right side plan view of the wheel alignment target body;

FIG. 4 is top plan view of the wheel alignment target body;

FIG. 5 is a left side plan view of the wheel alignment target body; and,

FIG. 6 is a bottom side plane view of the wheel alignment target body.

Broken lines, if any, shown within the drawings illustrate features that form no part of the claimed design.

(56) **References Cited**

U.S. PATENT DOCUMENTS

D554,543 S 11/2007 Meyer
7,336,350 B2* 2/2008 Dorrance G01B 11/2755
356/139.01

1 Claim, 6 Drawing Sheets

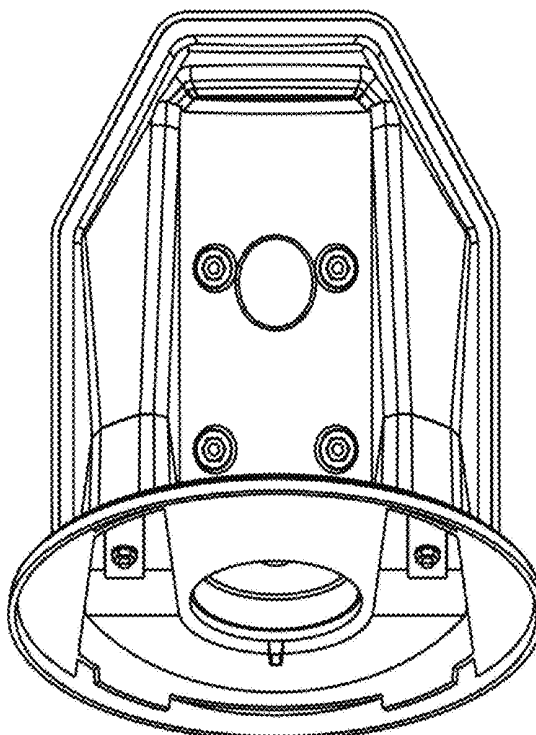
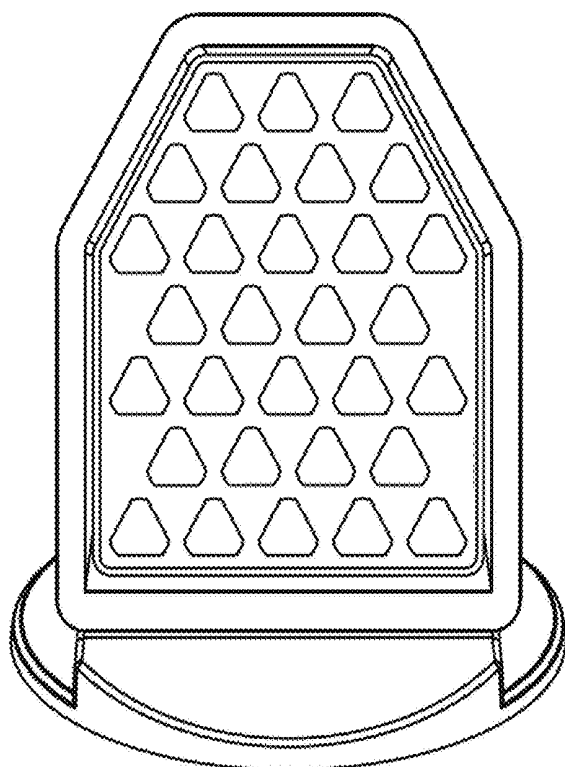
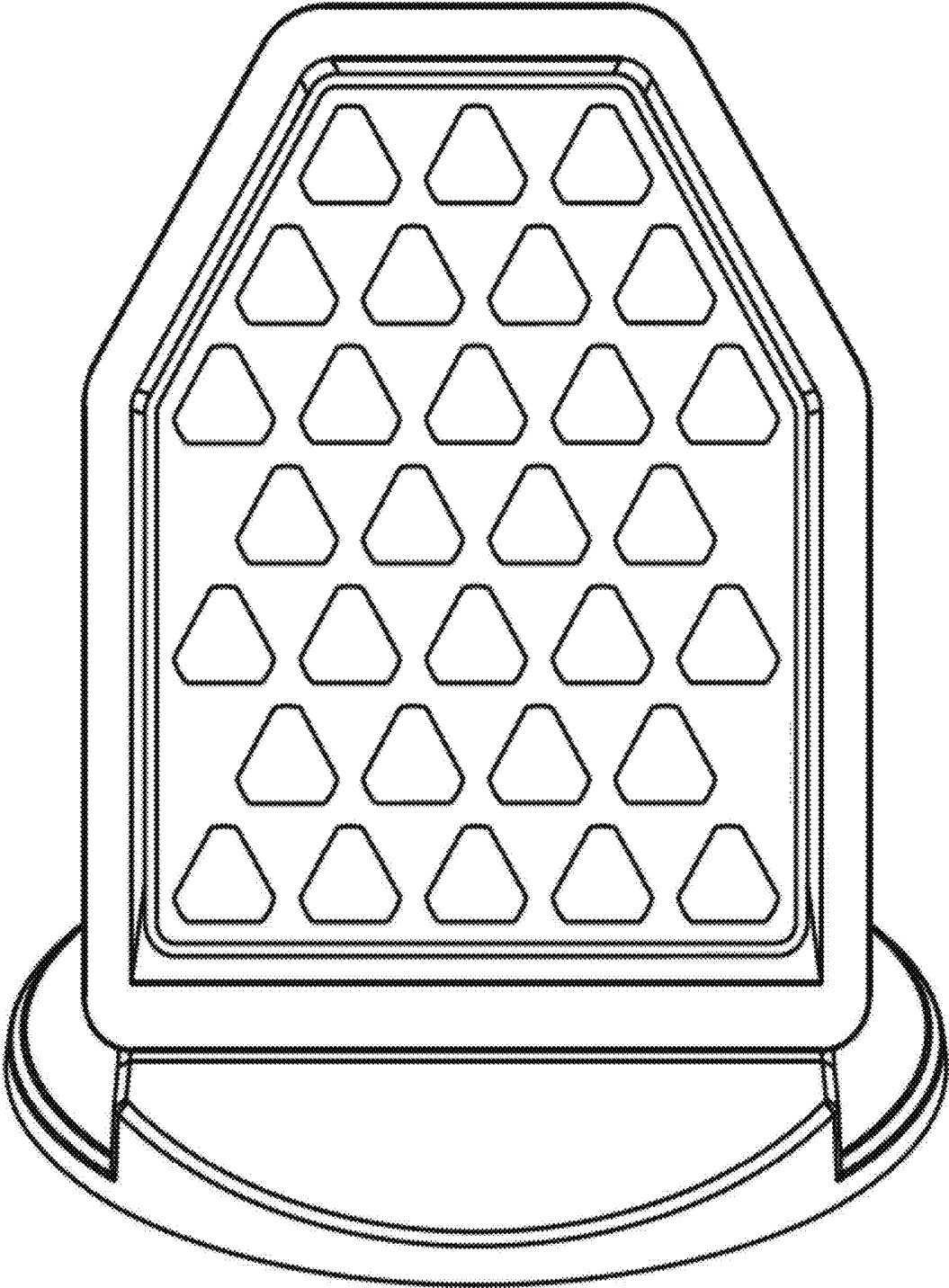


FIGURE 1



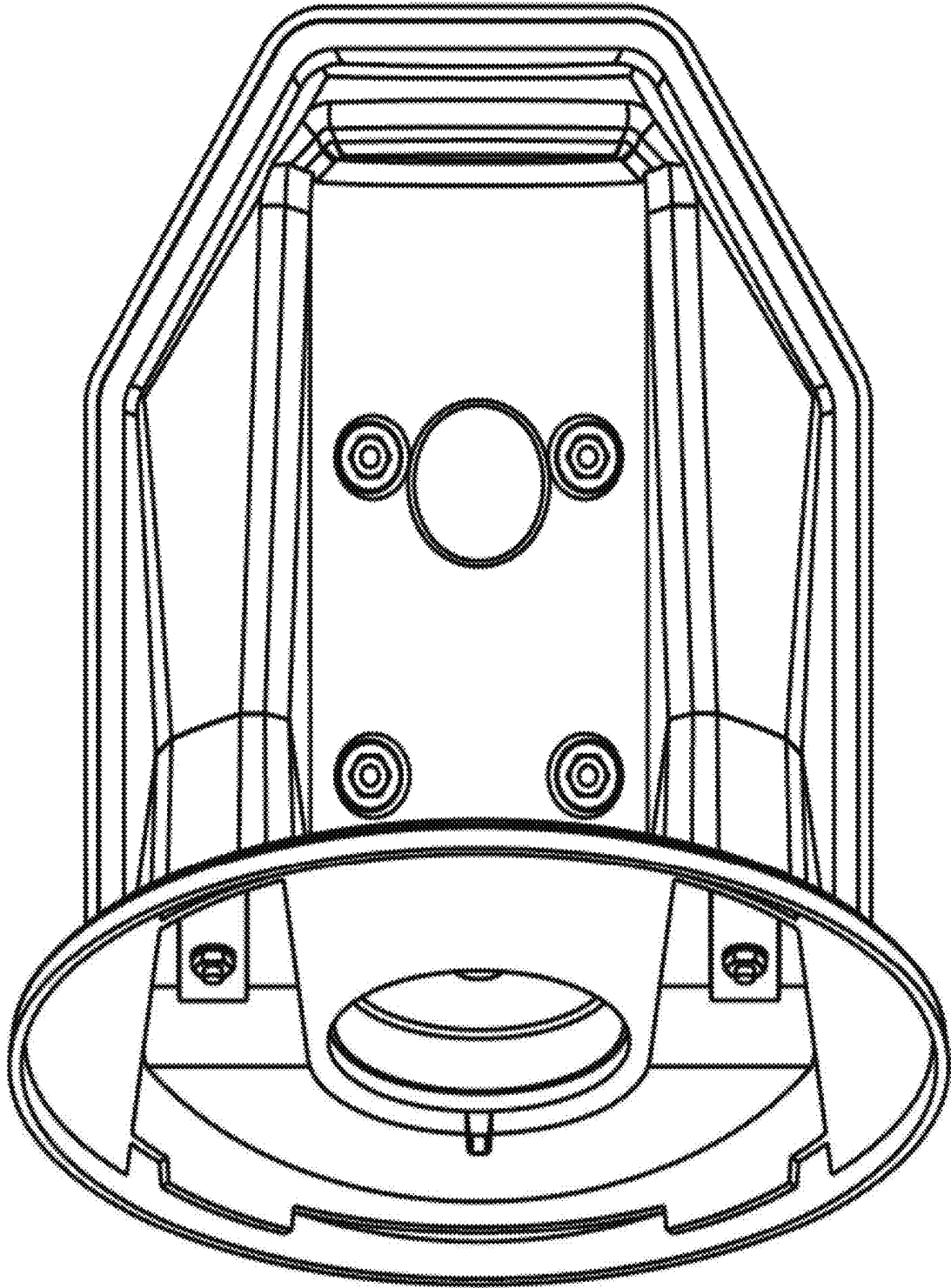


FIGURE 2

FIGURE 3

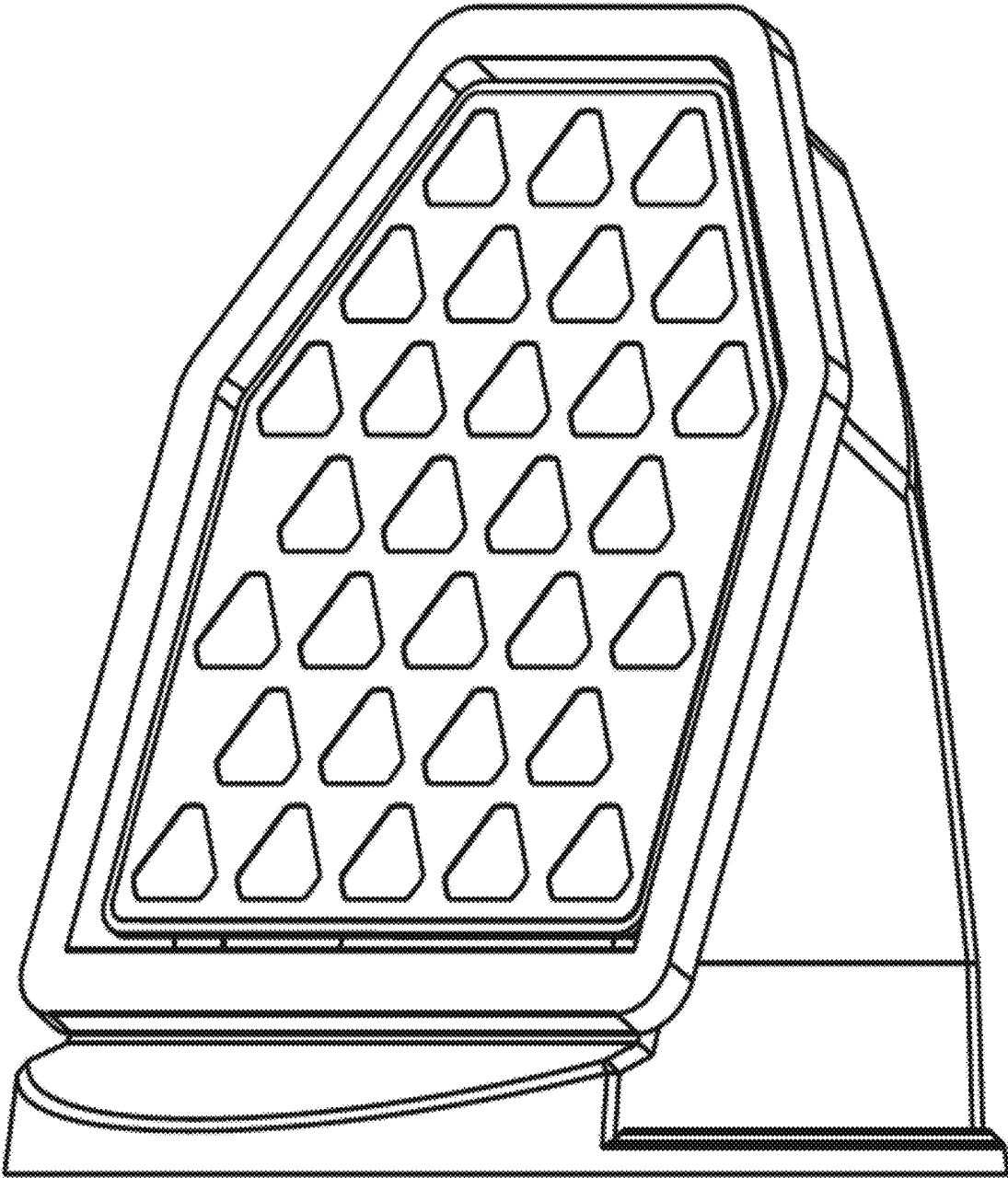
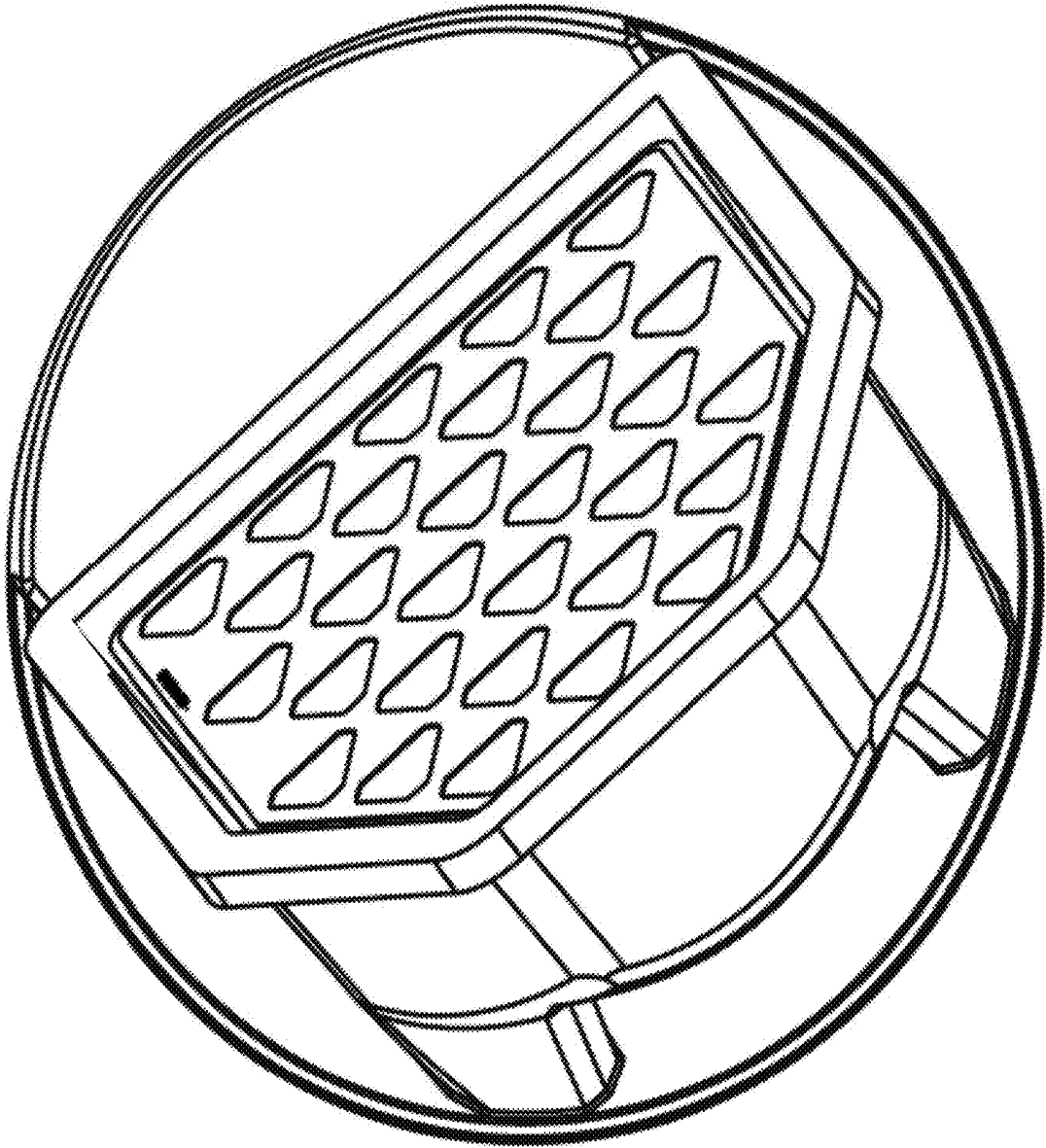


FIGURE 4



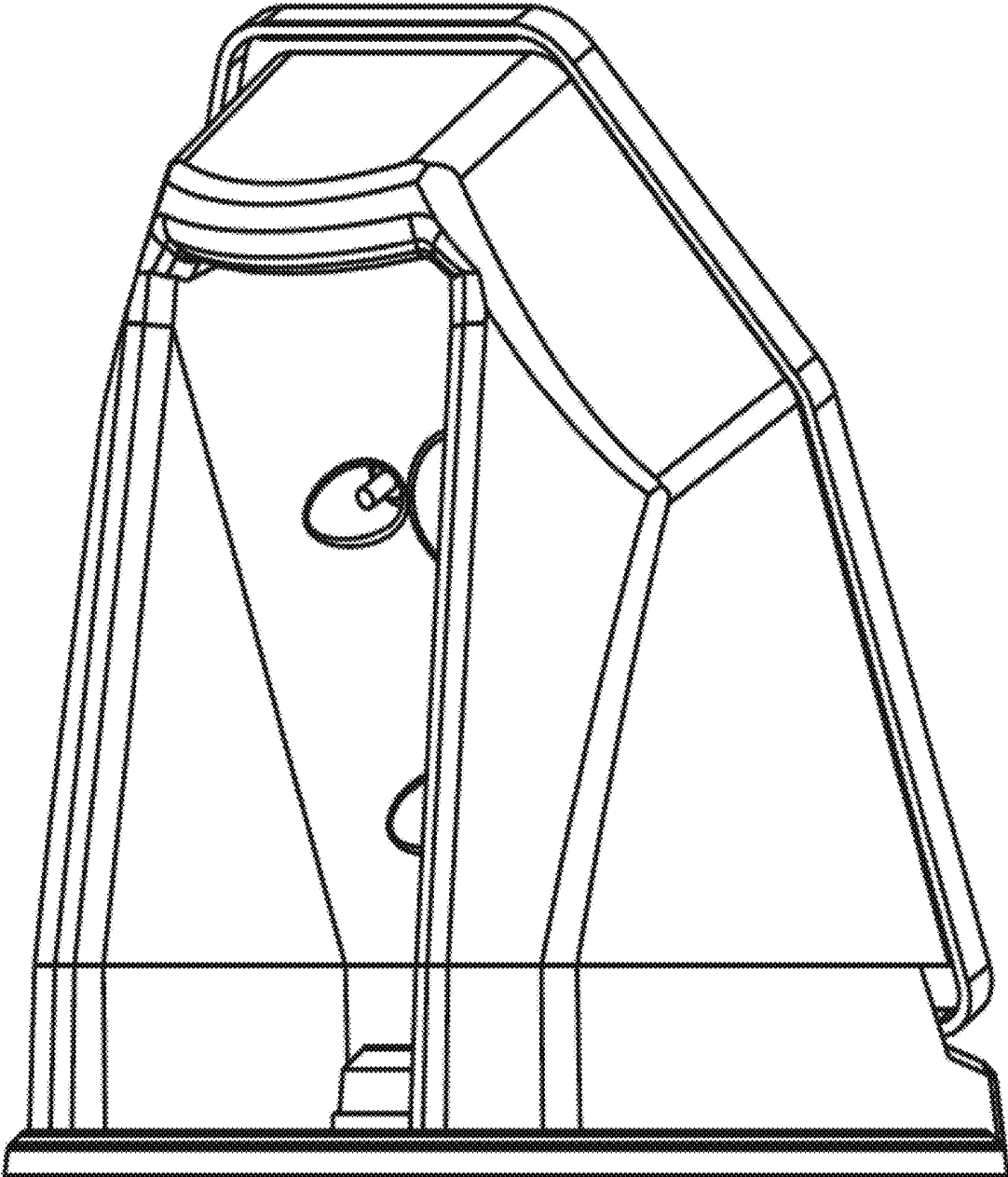


FIGURE 5

FIGURE 6

