



US00D844540S

(12) **United States Design Patent**  
**Linson**

(10) **Patent No.:** **US D844,540 S**

(45) **Date of Patent:** **\*\* Apr. 2, 2019**

(54) **SENSOR MOUNTING ADAPTER BASE FOR HEAVY DUTY VEHICLE FRONT WHEEL ASSEMBLY**

(71) Applicant: **Hunter Engineering Company, St. Louis, MO (US)**

(72) Inventor: **Dennis Linson, St. Charles, MO (US)**

(73) Assignee: **Hunter Engineering Company, St. Louis, MO (US)**

(\*\*) Term: **15 Years**

(21) Appl. No.: **29/583,882**

(22) Filed: **Nov. 9, 2016**

(51) **LOC (11) Cl.** ..... **12-16**

(52) **U.S. Cl.**  
USPC ..... **D12/412**

(58) **Field of Classification Search**  
USPC ..... D3/304-306; D6/552; D12/202, 223, D12/406, 412, 413, 414, 414.1; D15/199  
CPC ..... B60R 9/04; B60R 9/045; B60R 9/048; G01B 11/275; G01B 11/2755; G01B 2210/14; G01B 2210/30  
See application file for complete search history.

(56) **References Cited**

**U.S. PATENT DOCUMENTS**

D418,792 S *	1/2000	Iampen	.....	D12/202
6,044,968 A *	4/2000	Iampen	.....	B05C 11/11 118/505
D430,840 S *	9/2000	Iampen	.....	D12/202
D469,725 S *	2/2003	Murkett	.....	D12/202
6,869,150 B2 *	3/2005	Ptasinski	.....	B60R 3/00 280/165
D512,011 S *	11/2005	Tirado	.....	D12/213
7,500,570 B2 *	3/2009	Kurcheski	.....	A63B 47/00 211/14
D636,003 S *	4/2011	Linson	.....	D15/199

D667,037 S *	9/2012	Linson	.....	D15/199
8,341,848 B2	1/2013	Stieff et al.	.....	
D716,228 S *	10/2014	McCamley	.....	D13/115
D725,689 S *	3/2015	Vaninger	.....	D15/199
9,662,945 B2 *	5/2017	Molbach	.....	H05K 999/99
D816,005 S *	4/2018	Johns	.....	D12/197
D816,012 S *	4/2018	Linson	.....	D12/412
D819,466 S *	6/2018	Linson	.....	D10/65
D819,567 S *	6/2018	Garvey	.....	D13/112
2005/0076519 A1 *	4/2005	Gerdes	.....	G01B 5/255 33/203

(Continued)

**OTHER PUBLICATIONS**

Lawrence Auto Machinery Alpha brochure, 2014.  
Lawrence Auto Machinery Make A Difference brochure.

*Primary Examiner* — Garth Rademaker  
*Assistant Examiner* — Fritzgerald L Butac  
(74) *Attorney, Agent, or Firm* — Sandberg Phoenix & von Gontard, P.C.

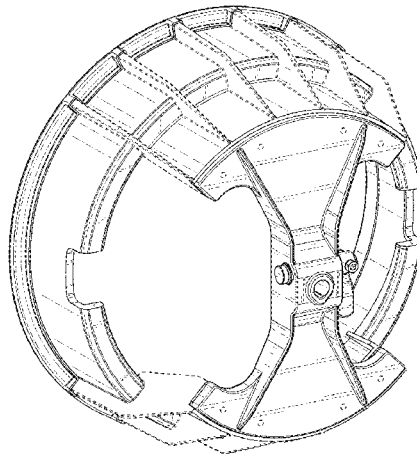
(57) **CLAIM**

The ornamental design for sensor mounting adapter base for heavy duty vehicle front wheel assembly, as shown and described.

**DESCRIPTION**

FIG. 1 is a front perspective view of the sensor mounting adapter base for a heavy duty vehicle front wheel assembly; FIG. 2 is a front elevational view thereof; FIG. 3 is a rear elevational view thereof; FIG. 4 is a right side elevational view thereof; FIG. 5 is a left side elevational view thereof; FIG. 6 is a top plan view thereof; and, FIG. 7 is a bottom plan view thereof. The broken lines show portions of a sensor mounting adapter base for heavy duty vehicle front wheel assembly that form no part of the claimed design.

**1 Claim, 7 Drawing Sheets**



(56)

**References Cited**

U.S. PATENT DOCUMENTS

2007/0068016	A1*	3/2007	Stieff	.....	G01B 11/2755	33/203.18
2008/0209744	A1*	9/2008	Stieff	.....	G01B 11/2755	33/203.18
2008/0271328	A1*	11/2008	Dorrance	.....	H04N 7/18	33/203.18
2010/0165332	A1*	7/2010	Dorrance	.....	H04N 7/18	33/203.18
2011/0001821	A1*	1/2011	Dorrance	.....	G01B 11/2755	33/203.18
2011/0170089	A1*	7/2011	Dorrance	.....	H04N 7/18	33/203.18
2013/0250098	A1*	9/2013	Dorrance	.....	G01B 11/275	33/203.18

\* cited by examiner

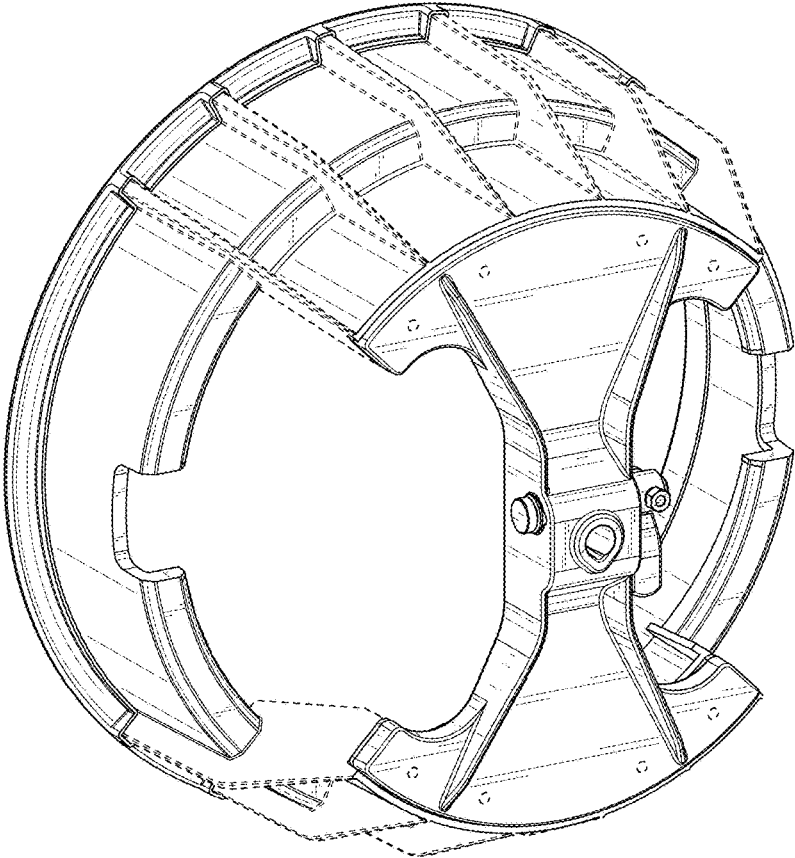


FIG. 1

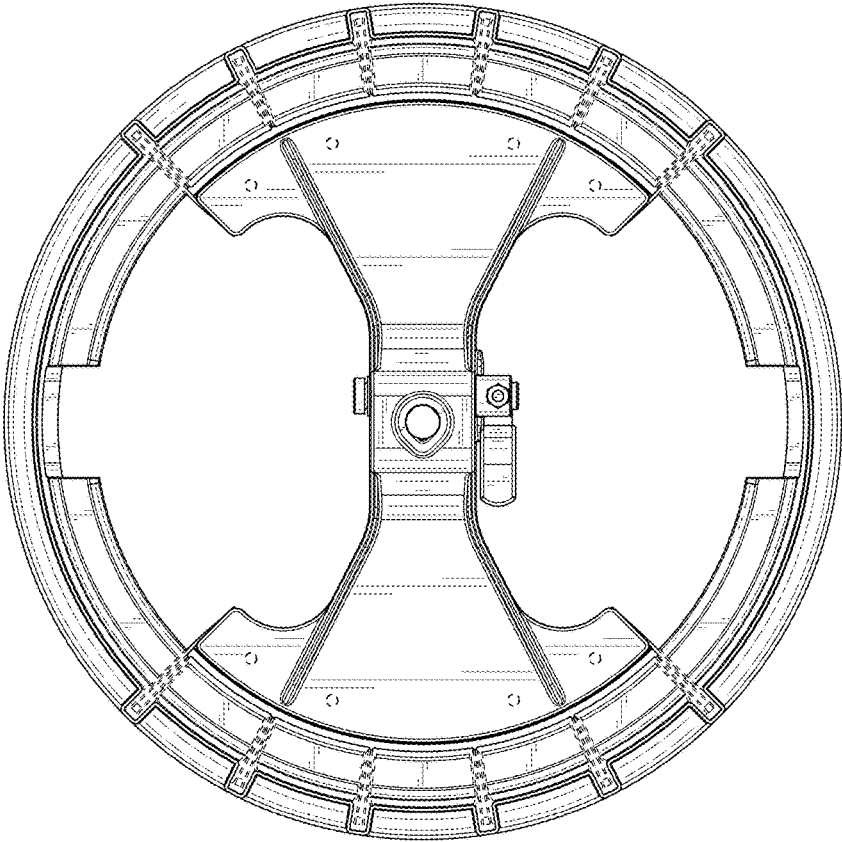


FIG. 2

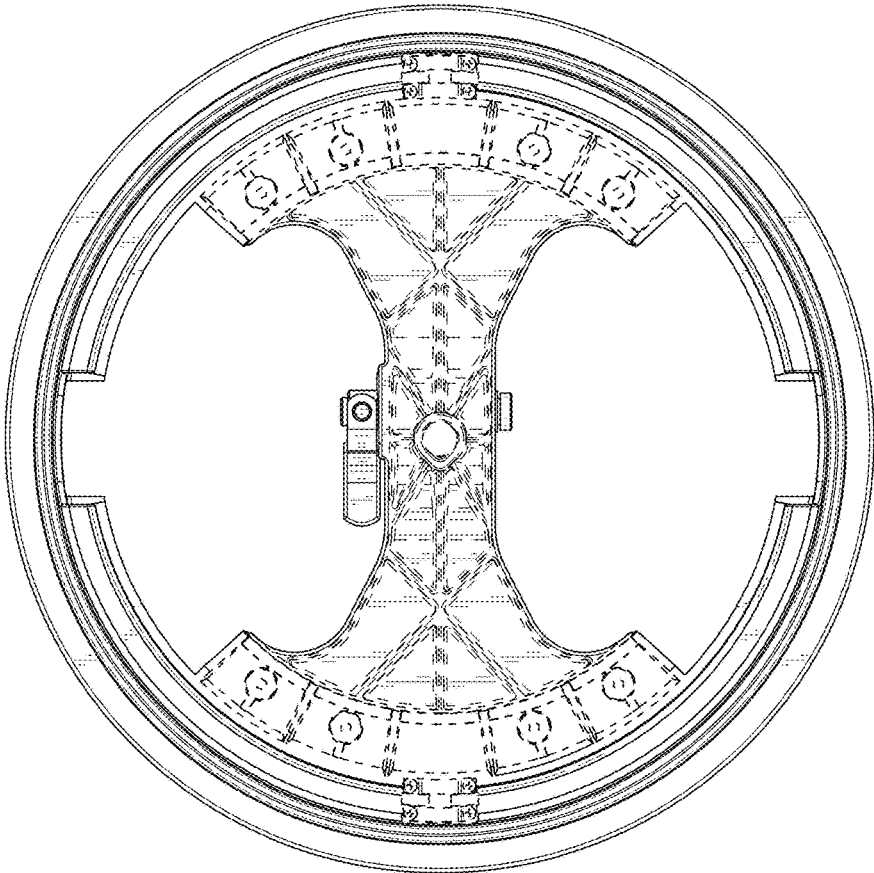


FIG. 3

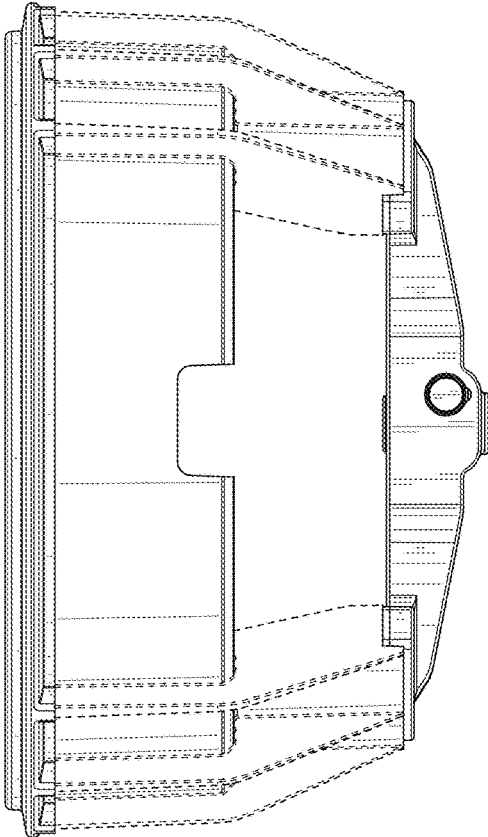


FIG. 4

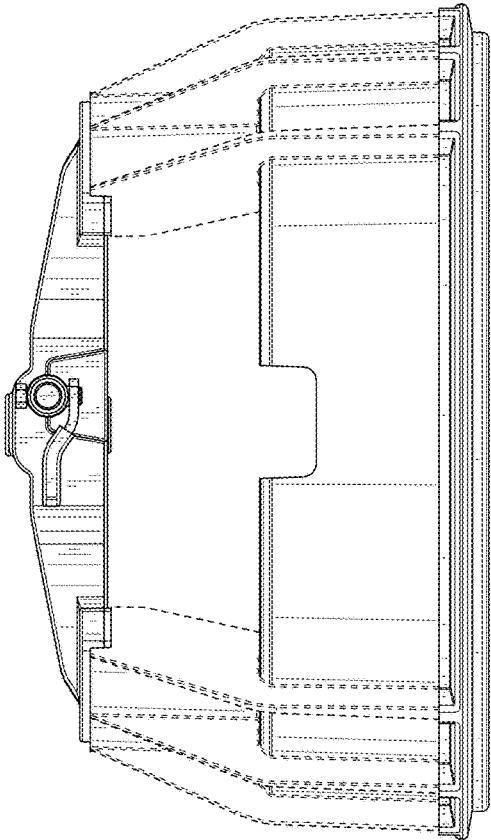


FIG. 5

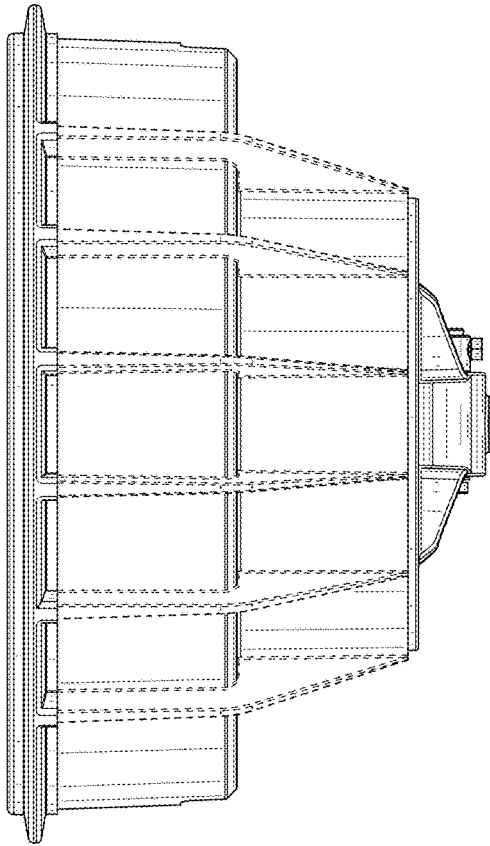


FIG. 6



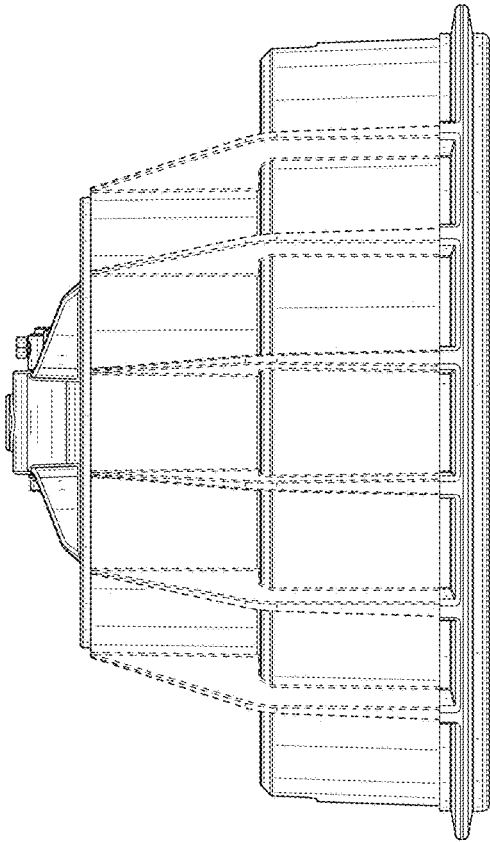


FIG. 7