



(12) **United States Design Patent**
Wilson, II

(10) **Patent No.:** **US D849,501 S**
(45) **Date of Patent:** **** May 28, 2019**

- (54) **ADJUSTMENT KNOB ASSEMBLY**
- (71) Applicant: **Hunter Engineering Company, St.**
Louis, MO (US)
- (72) Inventor: **James D. Wilson, II**, Collinsville, IL
(US)
- (73) Assignee: **Hunter Engineering Company, St.**
Louis, MO (US)
- (**) Term: **15 Years**
- (21) Appl. No.: **29/639,780**
- (22) Filed: **Mar. 8, 2018**
- (51) **LOC (11) Cl.** **08-06**
- (52) **U.S. Cl.**
USPC **D8/302; D8/312**
- (58) **Field of Classification Search**
USPC D8/107, 300, 301, 307, 310, 311, 312;
D23/250, 421
CPC ... Y10T 292/57; Y10T 292/82; Y10T 16/469;
Y10T 16/44; Y10T 16/476; Y10T
74/2084; Y10T 292/85; Y10T 74/2087;
Y10T 16/4713; Y10T 16/506; Y10T
74/20876; Y10T 74/20612; Y10T
70/5765; Y10T 16/459; Y10T 74/2066;
Y10T 16/487; Y10T 74/20822
See application file for complete search history.

D543,828	S	*	6/2007	Strutin-Belinoff	D8/310
D588,109	S	*	3/2009	Miyazato	D14/217
D589,776	S	*	4/2009	Camp	D8/310
D600,094	S	*	9/2009	Hwang	D8/312
D604,216	S	*	11/2009	Kraus	D12/192
D632,294	S	*	2/2011	Frank	D14/413
D676,551	S	*	2/2013	Desai	D24/129
D715,126	S	*	10/2014	Kim	D7/393
D779,454	S	*	2/2017	Crescenze	D14/144
D786,650	S	*	5/2017	Lira-Nunez	D8/311
D796,293	S	*	9/2017	Alliss	D8/310
2009/0084220	A1	*	4/2009	Morizono	B60H 1/0065 74/501.6
2011/0035902	A1	*	2/2011	Ikeda	H01H 19/6355 16/110.1

(Continued)

Primary Examiner — Lauren R Calve
(74) *Attorney, Agent, or Firm* — Sandberg Phoenix & von Gontard, P.C.

(57) **CLAIM**

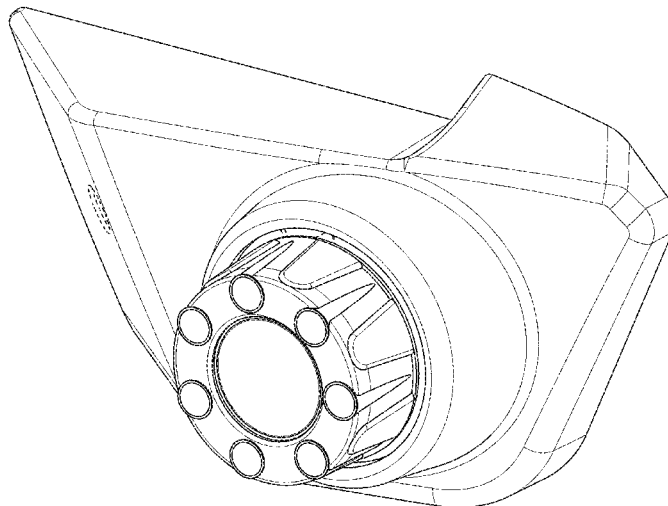
The ornamental design for an adjustment knob assembly, as shown and described.

DESCRIPTION

FIG. 1 is a top perspective view of an adjustment knob assembly;
FIG. 2 is a front view of the adjustment knob assembly;
FIG. 3 is a rear view of the adjustment knob assembly;
FIG. 4 is a right side view of the adjustment knob assembly;
FIG. 5 is a left side view of the adjustment knob assembly;
FIG. 6 is top plan view of the adjustment knob assembly;
FIG. 7 is bottom plan view of the adjustment knob assembly;
and,
FIG. 8 is a perspective view of the adjustment knob assembly shown in environmental use installed on a wheel balancer system.
The broken lines shown within the drawings illustrate features that form no part of the claimed design.

1 Claim, 7 Drawing Sheets

- (56) **References Cited**
U.S. PATENT DOCUMENTS
D93,624 S * 10/1934 Kasch D8/312
D119,892 S * 4/1940 Ressinger D8/312
D143,807 S * 2/1946 Eastham D8/312
D162,686 S * 3/1951 Petterson D8/312
D176,508 S * 1/1956 Enos D8/311
D298,410 S * 11/1988 Duke D8/300
D423,514 S * 4/2000 Shindo D14/240



(56)

References Cited

U.S. PATENT DOCUMENTS

2012/0241654	A1*	9/2012	Clifford	F16K 31/60 251/96
2014/0096637	A1*	4/2014	Echegaray Martinez	G05G 1/08 74/491
2014/0260776	A1*	9/2014	Burleson	G05G 1/10 74/553

* cited by examiner

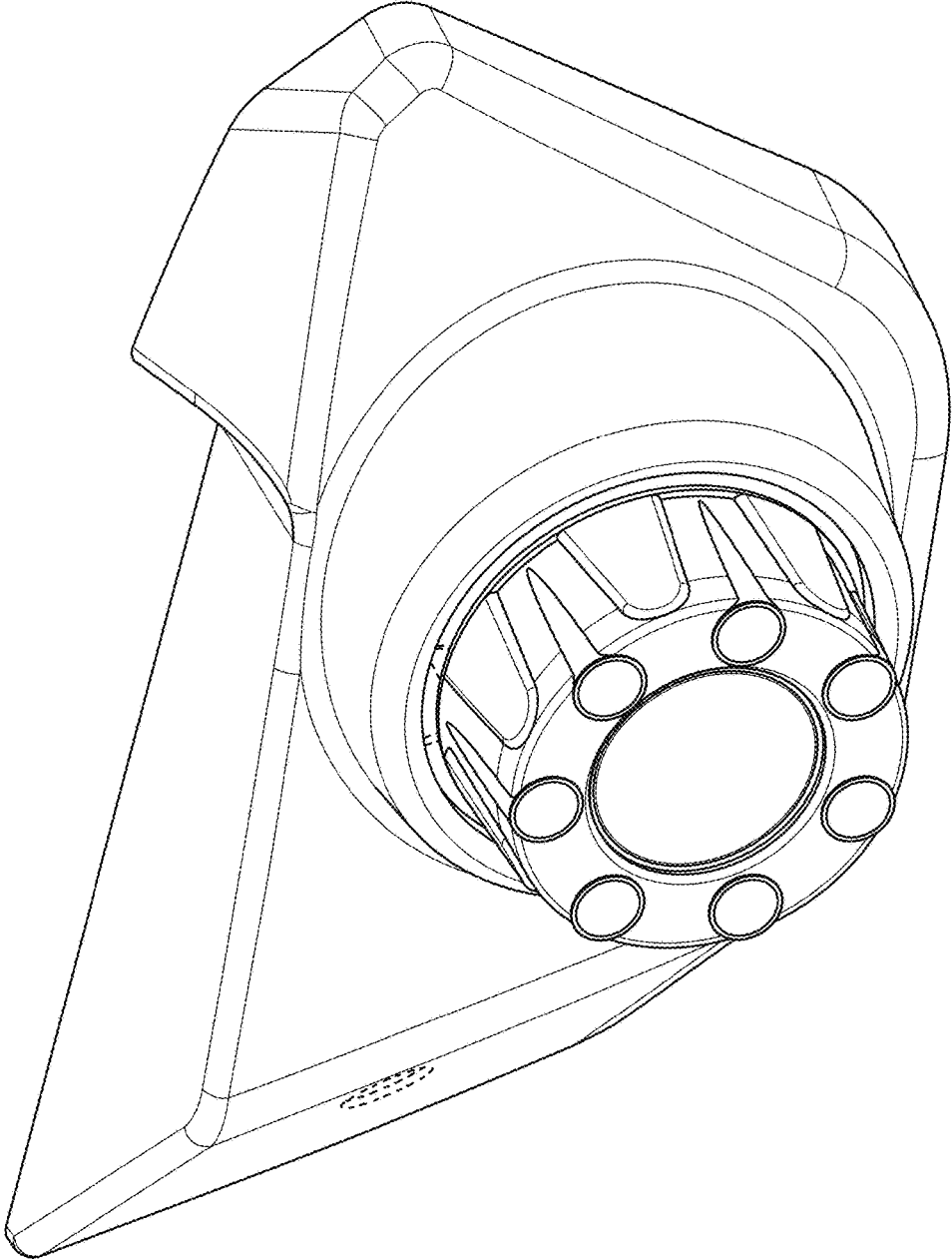


FIGURE 1

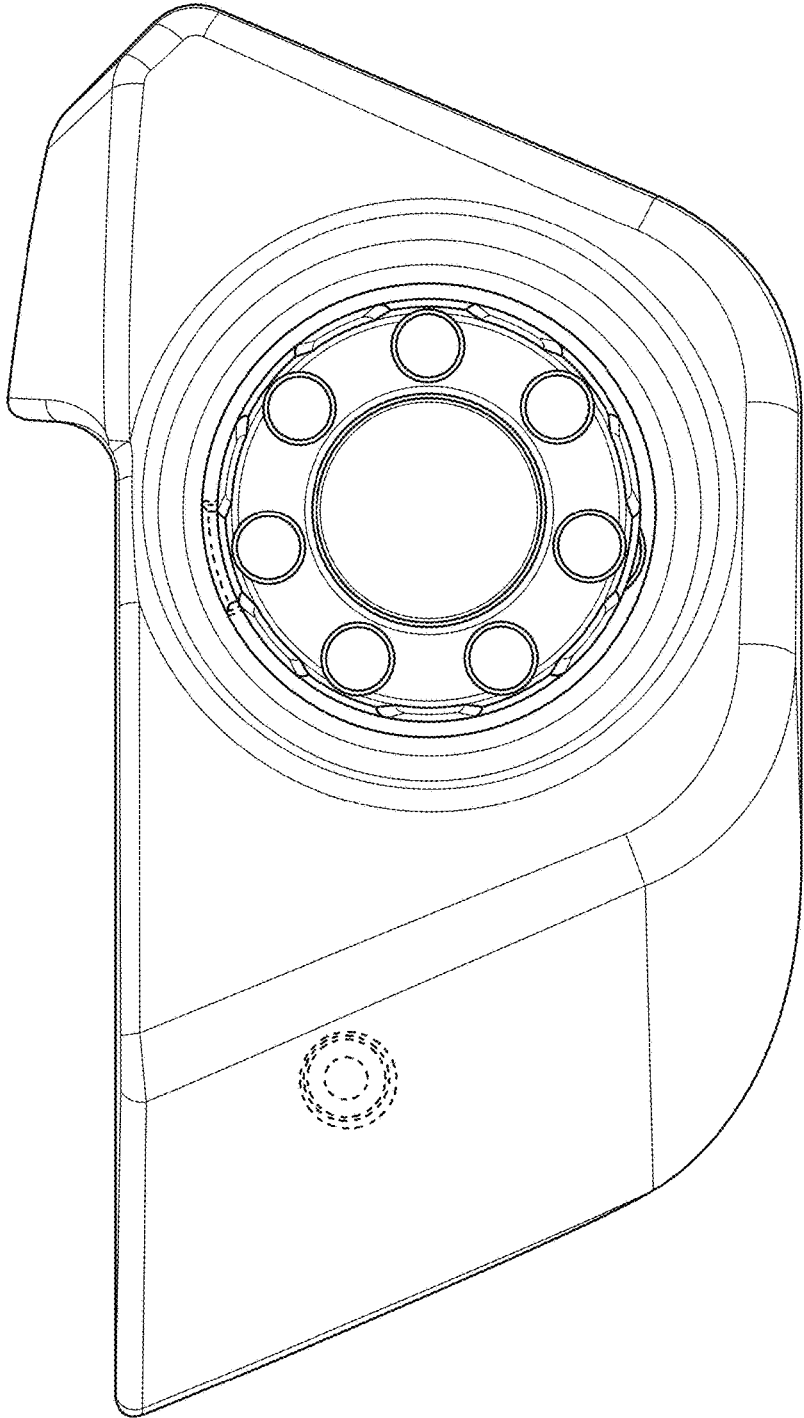


FIGURE 2

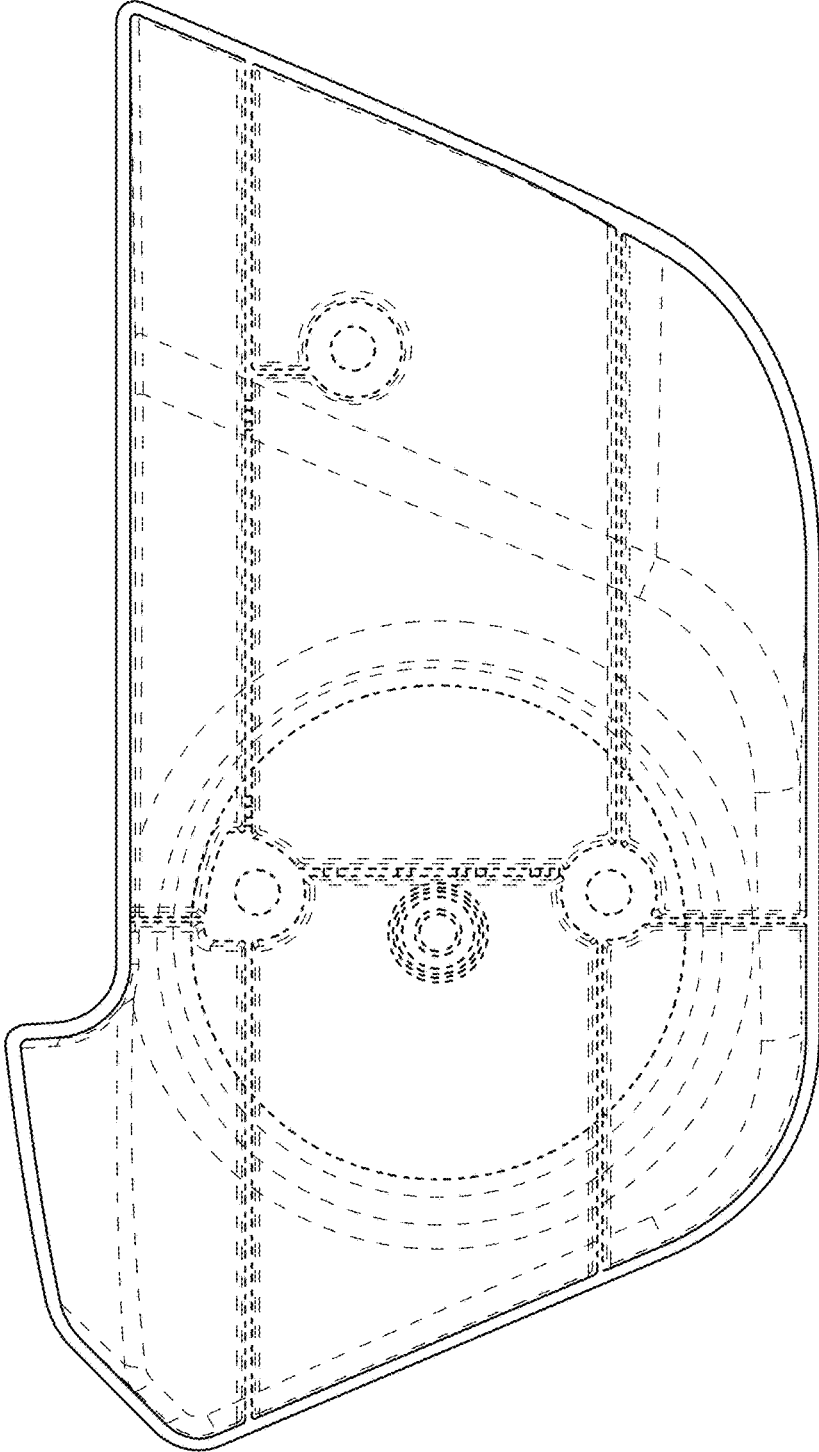


FIGURE 3

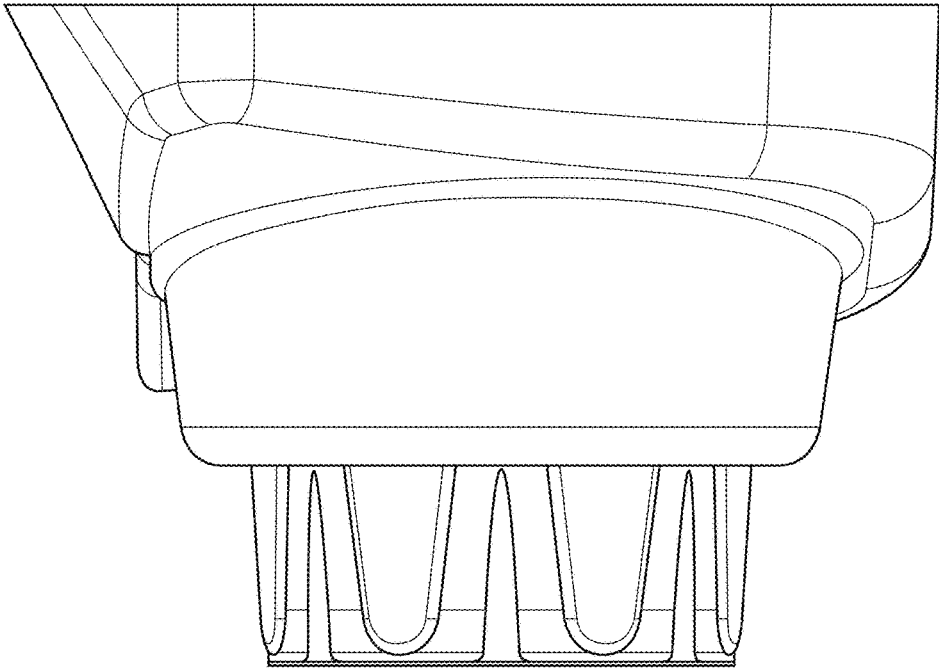


FIGURE 5

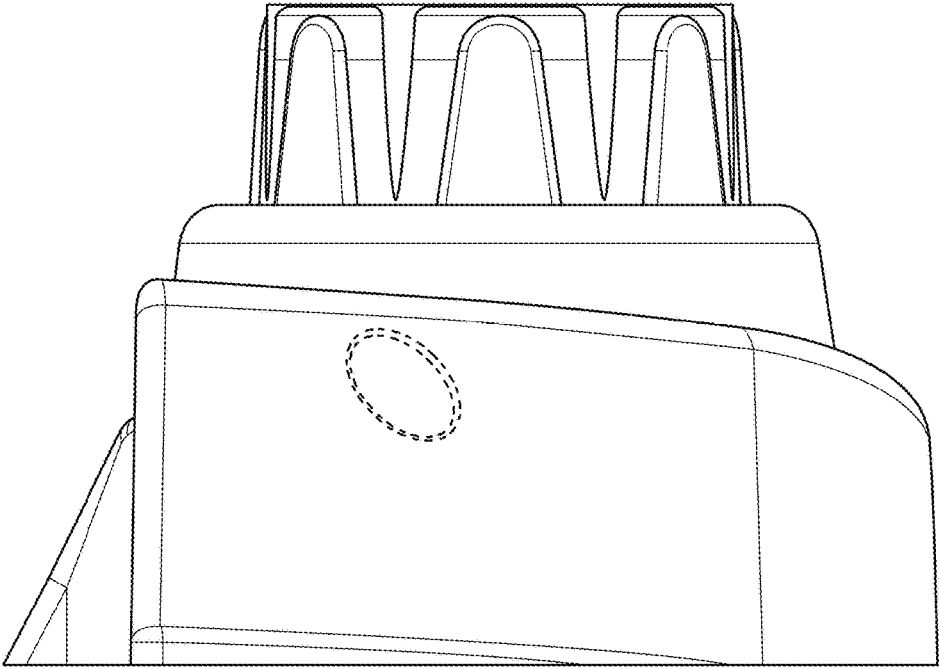


FIGURE 4

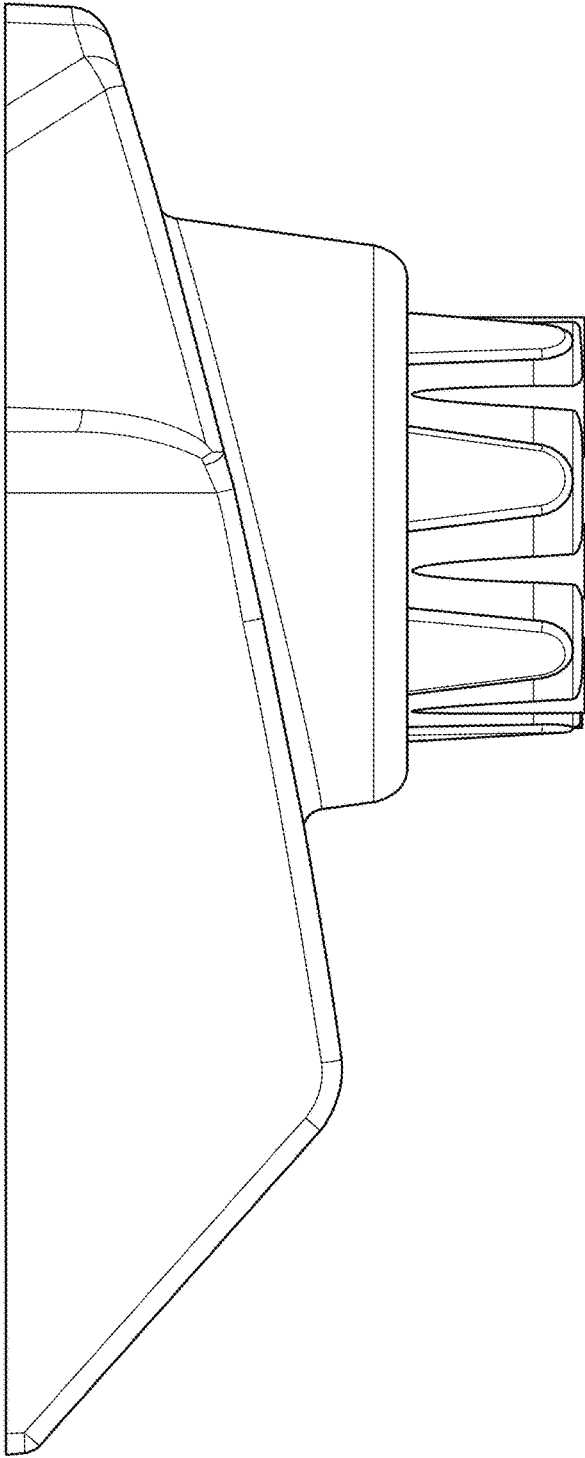


FIGURE 6

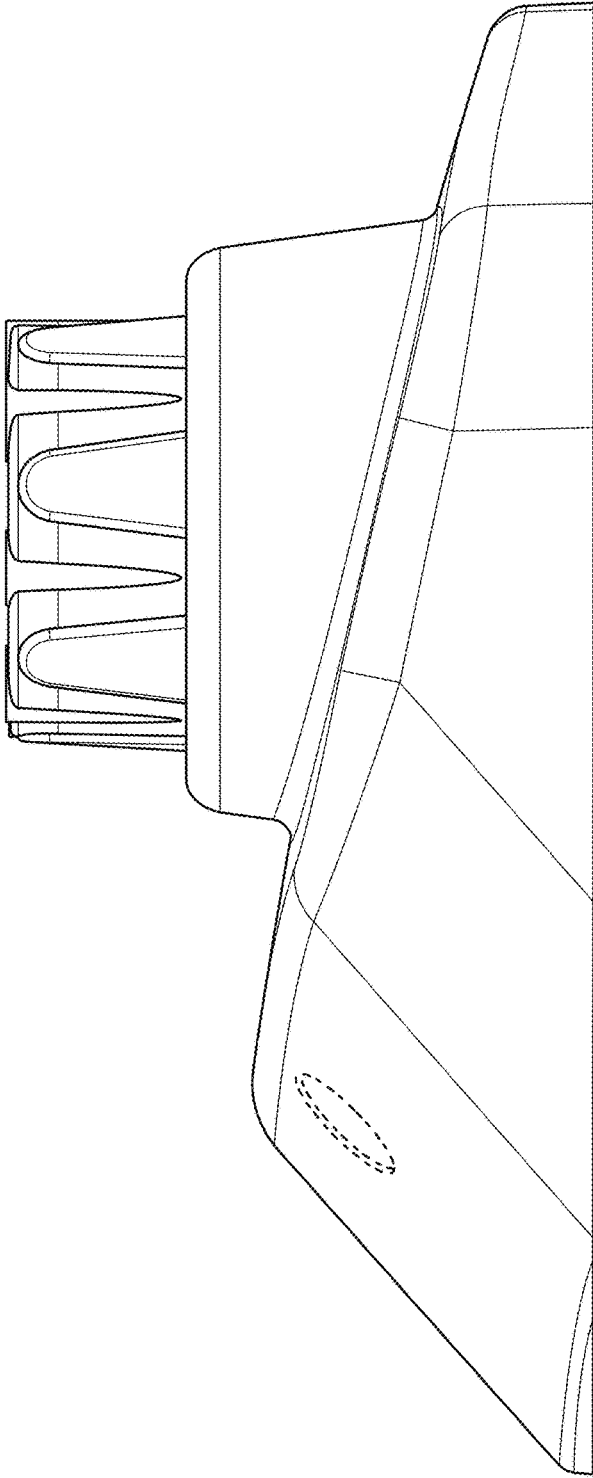


FIGURE 7

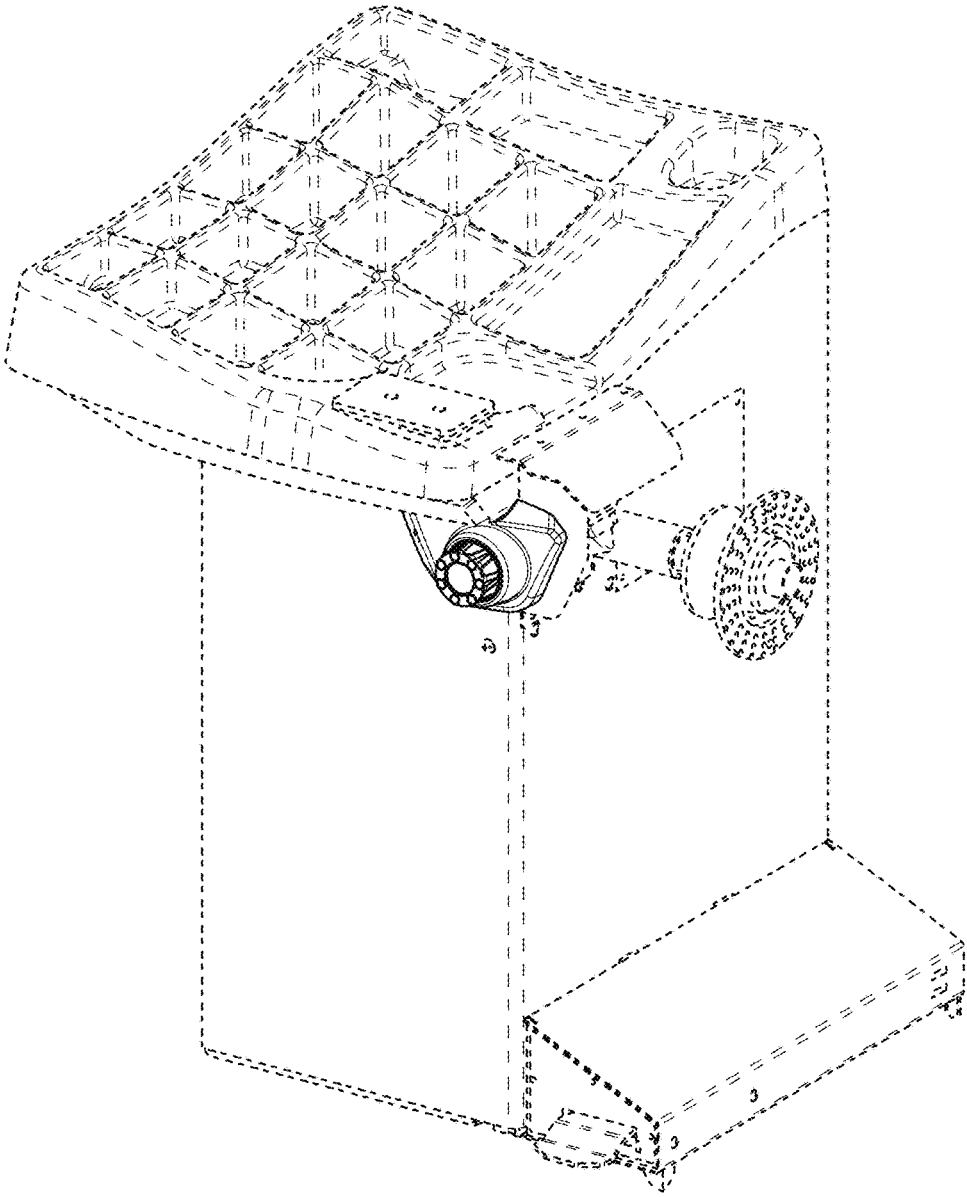


FIGURE 8