

Bench Lathes

BL Series Brake Lathes

HUNTER
Engineering Company

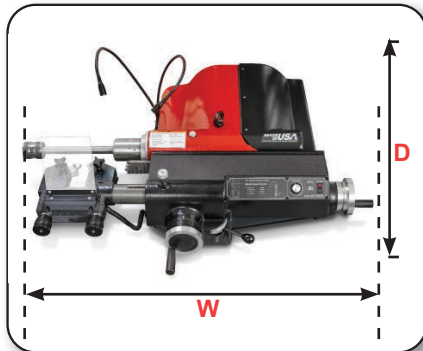
SPECIFICATIONS



BL30E shown w/ optional bench

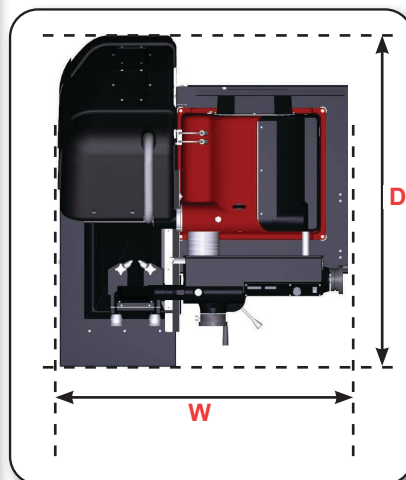
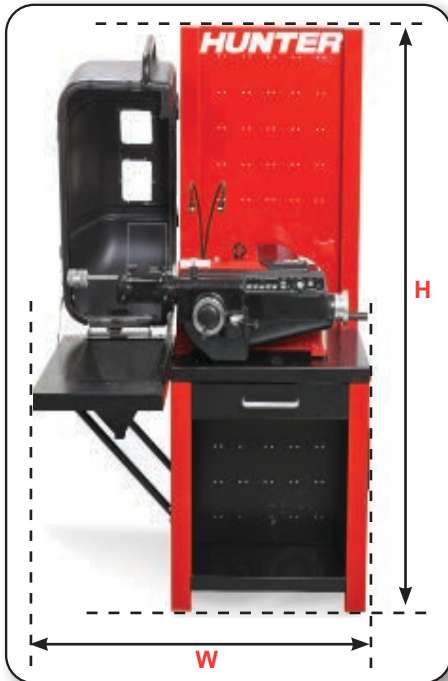
	Base Model	W/Anti-Chatter Technology
Power Requirements	230 V, 7.5 A, 60 Hz 1ph. (115 V, 15 A, 50-60 Hz 1 ph opt.)	230 V, 7.5 A, 60 Hz 1ph. (115 V, 15 A, 50-60 Hz 1 ph opt.)
Rotor Diameter**	152.4-584.2 mm (6-22 in.)	152.4-584.2 mm (6-22 in.)
Rotor Max Width	136.5 mm (5 3/8 in.)	136.5 mm (5 3/8 in.)
Rotor Max Thickness	50.8 mm (2 in.)	50.8 mm (2 in.)
Drum Diameter**	152.4-609.6 mm (6-24 in.)	152.4-609.6 mm (6-24 in.)
Drum Max Width	203.2 mm (8 in.)	203.2 mm (8 in.)
Max Arbor Weight*	90.7 kg (200 lbs)*	90.7 kg (200 lbs)*
Motor	1.12 kw (1.5 hp)	1.12 kw (1.5 hp)
Spindle Speeds	85,110,175 rpm	85,110,175 rpm
Feed Rate	.05 -.36 mm/rev. (002-.014 in./rev) Infinitely Variable	.05 -.36 mm/rev. (002-.014 in./rev) Infinitely Variable

*with 1-7/8" Arbor. **19.5" with Hood



	BL20	BL20†	BL20††	BL30	BL30†	BL30††
Rotor Capability				✓	✓	✓
ACT/DigiCal	✓	✓	✓	✓	✓	✓
Bench		✓	✓		✓	✓
Dust Collection Hood			✓			✓
Width (W)	1105 mm (43.5")	1143 mm (45")	1219 mm (48")	1105 mm (43.5")	1143 mm (45")	1219 mm (48")
Height (H)	330 mm (13")	1918 mm (75.5")	1918 mm (75.5")	330 mm (13")	1918 mm (75.5")	1918 mm (75.5")
Depth (D)	927 mm (36.5")	1041 mm (41")	1359 mm (53.5")	927 mm (36.5")	1041 mm (41")	1359 mm (53.5")
Weight	213 kg (469 lbs)	303 kg (669 lbs)	303 kg (669 lbs)	222 kg (489 lbs)	313 kg (689 lbs)	313 kg (689 lbs)

†with optional Bench ††with optional Bench & Dust CollectionHood



For general inquiries visit:
www.hunter.com
or call
800-448-6848

Because of continuing technological advancements, specifications, models and options are subject to change without notice.