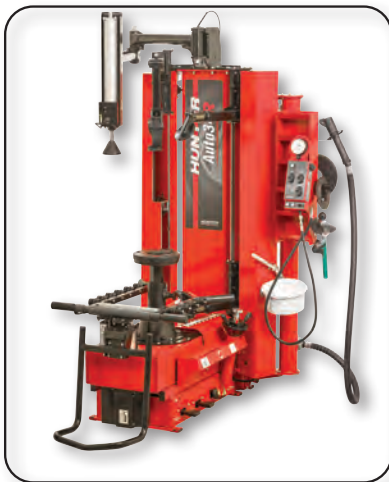


SITE REQUIREMENTS

TCA34R

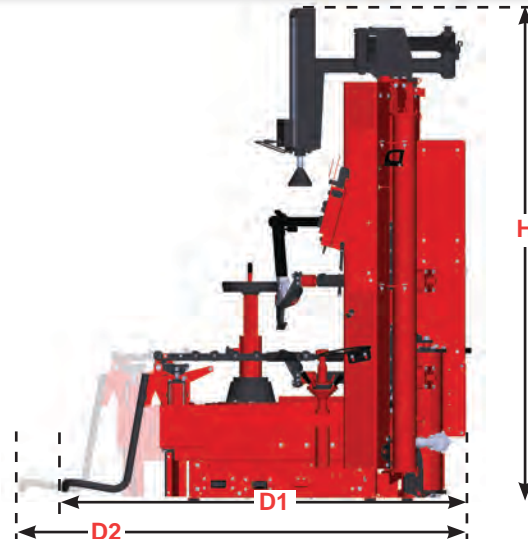
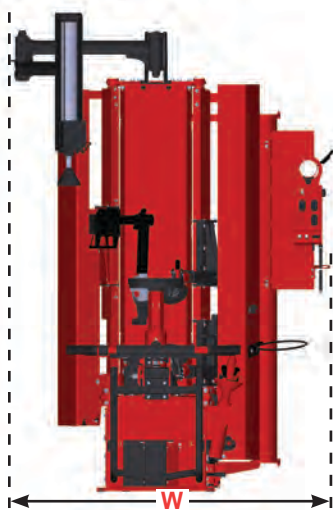


TCA34S	
Power Requirements	208-230V, 6A, 60Hz, 1 ph NEMA 20 amp plug, L6-20P
Air Supply Requirements	115-175 psi (8-12 bar)
Weight	1172 lbs (531 kg)
Width (W)	59 in. (1494 mm)
Height (H)	81 in. (2067 mm)
Depth (D1)	65 in. (1651 mm) - chassis retracted
Depth (D2)	79 in. (2015 mm) - chassis extended

KEY SPECIFICATIONS

TCA34S	
Mount / Demount Tool	Polymer Self Inserting Leverless
Clamping Type	Center w/Quick Clamp and Cam Plate
Bead Loosening Type	Upper / Lower Roller
Match Mounting Capable	Yes
Adjustable Clamping Height	Yes
Rim Diameter Range	10-34 in.
Maximum Tire Diameter	65 in.
Maximum Wheel Width	19 in.
Wheel Lift Capacity	176 lbs. (80 kg)
Drive	Variable up to 14 rpm CW 7 rpm CCW Torque: 867 ft-lbs (1175 Nm)

TCA34R Dimensions



For tire changer information visit:
www.hunter.com/tire-changers

For local contact visit:
www.hunter.com/contact-hunter

For general inquiries visit:
www.hunter.com or call 800-448-6848