

HD Elite

Wheel Balancer

HUNTER
Engineering Company

SPECIFICATIONS



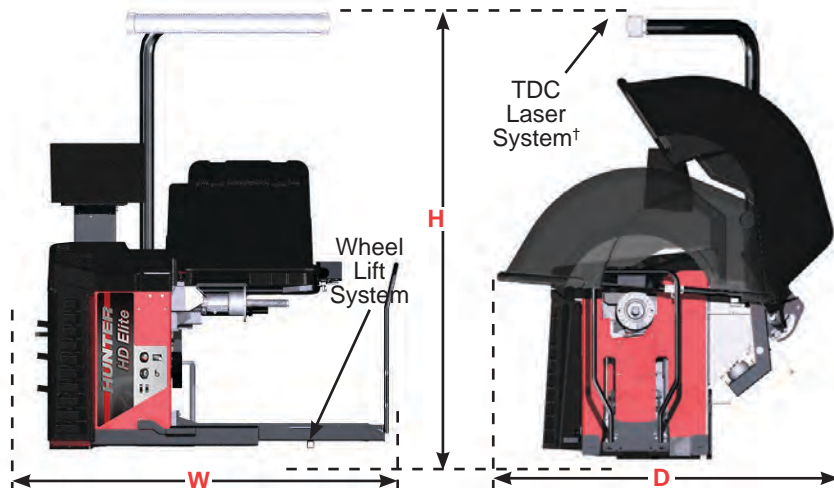
HDE33 Shown

| | |
|--|---|
| Power Requirements | 196-253V, 10 amp, 50/60 Hz, 1 ph NEMA L6-20P plug included |
| Air Supply Requirements | 100-175 psi (7-12 bar) |
| Rim Width Range | 1.5 in to 19.5 in (38 mm to 495 mm) |
| Rim Diameter Range | 10 in to 30 in (254 mm to 762 mm)* |
| ALU | 7.5 in to 38 in (191 mm to 965 mm)* |
| Max. Tire Diameter | 52 in (1321 mm) |
| Max. Tire Width | 19.5 in (495 mm) |
| Max. Tire Weight | 500 lbs (227 kg) |
| Min. tire diameter for roller application | 24 in (610 mm) |
| Imbalance Resolution | ± 0.05 oz (1.0 g) |
| Placement Accuracy | 512 positions, ± 0.35° |
| Balancing Speed | 100 rpm |
| Motor | Programmable drive system and DC motor |

* Extreme wheel sizes may require manual data entry.

MODEL FEATURES / DIMENSIONS

| | HDE33 | HDE32 | HDE31 | HDE30 | HDE13 | HDE12 | HDE11 | HDE10 |
|--------------------------------|----------------------|---------------------|----------------------|---------------------|----------------------|---------------------|----------------------|---------------------|
| Diagnostic Load Roller | ✓ | ✓ | ✓ | ✓ | | | | |
| TDC Laser System† | ✓ | ✓ | | | ✓ | ✓ | | |
| Ink Jet Print w/Storage | ✓ | | ✓ | | ✓ | | ✓ | |
| Width (W) | 75.75 in. 1924 mm | 71 in. 1803 mm | 75.75 in. 1924 mm | 71 in. 1803 mm | 75.75 in. 1924 mm | 71 in. 1803 mm | 75.75 in. 1924 mm | 71 in. 1803 mm |
| Height (H) | 88 in. 2223 mm | 88 in. 2223 mm | 80.5 in. 2045 mm | 80.5 in. 2045 mm | 88 in. 2223 mm | 88 in. 2223 mm | 80.5 in. 2045 mm | 80.5 in. 2045 mm |
| Depth (D) | 73.5 in. 1867 mm | 73.5 in. 1867 mm | 73.5 in. 1867 mm | 73.5 in. 1867 mm | 73.5 in. 1867 mm | 73.5 in. 1867 mm | 73.5 in. 1867 mm | 73.5 in. 1867 mm |
| Weight | 985 lb 447 kg | 934 lb 424 kg | 831 lb 377 kg | 780 lb 336 kg | 846 lb 384 kg | 795 lb 361 kg | 890 lb 404 kg | 839 lb 381 kg |



For balancer information visit:
www.hunter.com/wheel-balancers

For local contact visit:
www.hunter.com/contact-hunter

For general inquiries visit:
www.hunter.com
or call
800-448-6848

Because of continuing technological advancements, specifications, models and options are subject to change without notice.

The HD Elite Wheel Balancer is a Class 1 laser product.

† When equipped with the TDC system, the balancer is a Class 2M laser product.

⚠ LASER RADIATION - DO NOT STARE INTO THE BEAM OR VIEW DIRECTLY WITH OPTICAL INSTRUMENTS.
Viewing the laser output with magnifiers or related optical instruments within a distance of 100 mm from the laser aperture may pose an eye hazard