

# SmartWeight® Pro Wheel Balancer



## SPECIFICATIONS



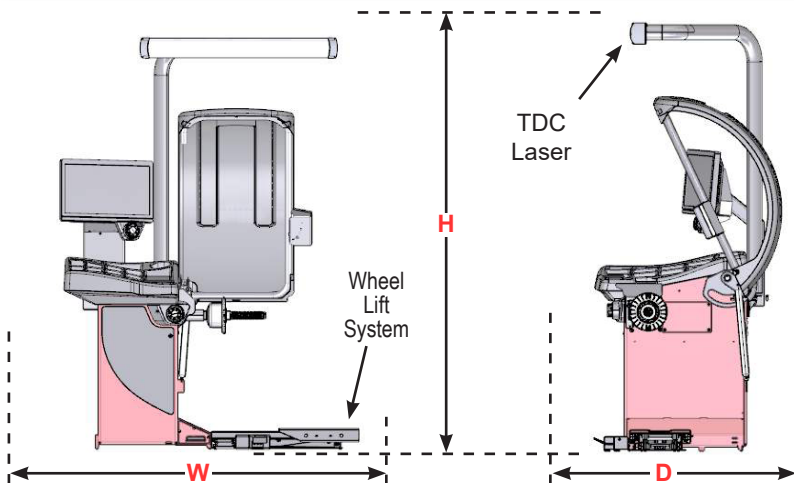
<b>Power Requirements</b>	208-240V, 3 amp, 50/60 Hz, 1 ph (NEMA 20 amp plug, L6-20P)
<b>Air Supply Requirements</b>	100-175 psi (7-12 bar)
<b>Capacity</b>	
<b>Rim Width</b>	(38 mm to 508 mm) 1.5 in to 20 in
<b>Rim Diameter</b>	(254 mm to 762 mm) 10 in to 30 in *
<b>ALU</b>	(191 mm to 965 mm) 7.5 in to 38 in *
<b>Max. Tire Diameter</b>	(965 mm) 38 in
<b>Max. Tire Width</b>	(508 mm) 20 in
<b>Max. Tire Weight</b>	(68 kg) 135 lbs
<b>Imbalance Resolution</b>	(± 1.0 g) 0.05 oz
<b>Placement Accuracy</b>	512 positions, ± 0.35°
<b>Balancing Speed</b>	150 rpm
<b>Motor</b>	Programmable drive system and DC motor
<b>Shipping Weight</b>	311 lb.

SWP78 with HammerHead® option

\* Extreme wheel sizes may require manual data entry.

## MODEL OPTIONS / DIMENSIONS

	SWP00	SWP06	SWP07	SWP08	SWP60	SWP66	SWP67	SWP68	SWP70	SWP76	SWP77	SWP78	Field Options
<b>Wheel Lift System</b>		✓				✓		✓		✓		✓	<ul style="list-style-type: none"> <li>• Quick Nut</li> <li>• BullsEye® Collets</li> <li>• HammerHead® TDC Laser</li> <li>• Wheel Lift</li> </ul>
<b>Outer Laser</b>				✓					✓	✓	✓	✓	
<b>TDC Laser System</b>			✓	✓			✓	✓			✓	✓	
<b>Hood</b>					✓	✓	✓	✓	✓	✓	✓	✓	
<b>Width (W)</b>	1066 mm 42 in	1536 mm 60.5 in	1448 mm 57 in	1536 mm 60.5 in	1346 mm 53 in	1536 mm 60.5 in	1448 mm 57 in	1536 mm 60.5 in	1346 mm 53 in	1536 mm 60.5 in	1448 mm 57 in	1536 mm 60.5 in	
<b>Height (H)</b>	1549 mm 61 in	1816 mm 71.5 in	2159 mm 85 in	2159 mm 85 in	1816 mm 71.5 in	1816 mm 71.5 in	2159 mm 85 in	2159 mm 85 in	1816 mm 71.5 in	1816 mm 71.5 in	2159 mm 85 in	2159 mm 85 in	
<b>Depth (D)</b>	711mm 28 in	832 mm 32.75 in	711mm 28 in	711mm 28 in	832 mm 32.75 in	832 mm 32.75 in	832 mm 32.75 in	832 mm 32.75 in	832 mm 32.75 in	832 mm 32.75 in	832 mm 32.75 in	832 mm 32.75 in	
<b>Weight</b>	131 kg 288 lb.	176 kg 387 lb.	156 kg 343 lb.	184 kg 406 lb.	141 kg 311 lb.	186 kg 410 lb.	166 kg 366 lb.	210 kg 465 lb.	141 kg 311 lb.	186 kg 410 lb.	166 kg 336 lb.	210 kg 465 lb.	



For balancer information visit:  
[www.hunter.com/balancer](http://www.hunter.com/balancer)

For local contact visit:  
[www.hunter.com/company/findrep.cfm](http://www.hunter.com/company/findrep.cfm)

For general inquiries visit:  
[www.hunter.com](http://www.hunter.com)  
or call  
1-314-731-3020