

SPECIFICATIONS



**QM02
Shown**

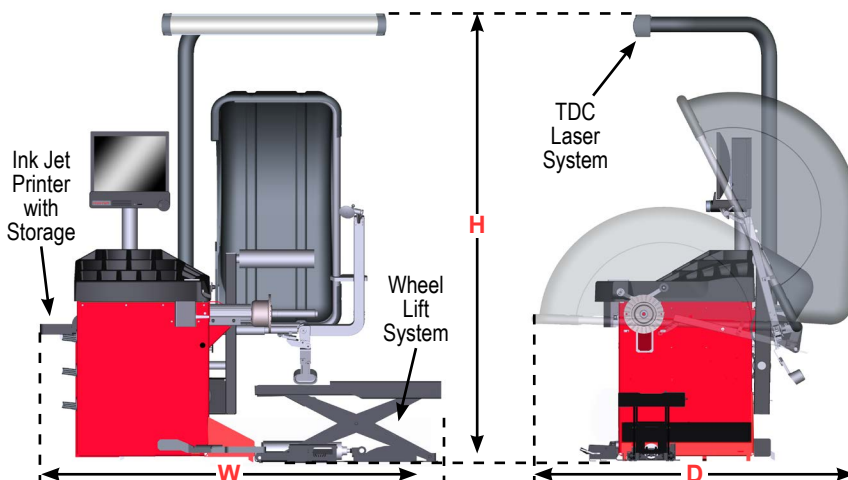
Power Requirements	196-253V, 10 amp, 50/60 Hz, 1 ph (Power cable includes: NEMA 20 amp plug, L6-20P)
Air Supply Requirements	100-175 psi (7-12 bar)
Capacity	
Rim Width	2.5 in to 20 in (64 mm to 508 mm)
Rim Diameter	10 in to 34 in (254 mm to 864 mm) *
ALU	7.5 in to 34 in (191 mm to 864 mm) *
Max. Tire Diameter	44 in (1118 mm)
Max. Tire Width	20 in (508 mm)
Max. Tire Weight	175 lbs (79 kg)
Imbalance Resolution	± 0.05 oz (1.0 g)
Placement Accuracy	512 positions, ± 0.35°
Balancing Speed	290-300 rpm
Motor	Programmable drive system and DC motor
Shipping Weight	500 lbs (227 kg)
Shipping Weight with Wheel Lift	700 lbs (318 kg)

* Extreme wheel sizes may require manual data entry.

MODEL FEATURES / DIMENSIONS

	QM13	QM12	QM11	QM10	QM03	QM02	QM01	QM00
Wheel Lift System*	✓	✓	✓	✓				
TDC Laser System	✓	✓			✓	✓		
Ink Jet Print w/Storage	✓		✓		✓		✓	
Width (W)	73 in 1854 mm	67 in 1702 mm	73 in 1854 mm	67 in 1676 mm	65 in 1651 mm	56.5 in 1435 mm	65 in 1651 mm	56.5 in 1435 mm
Height (H)	89 in 2261 mm	89 in 2261 mm	73 in 1854 mm	73 in 1854 mm	89 in 2261 mm	89 in 2261 mm	73 in 1854 mm	73 in 1854 mm
Depth (D)	62 in 1575 mm	62 in 1575 mm	62 in 1575 mm	62 in 1575 mm	62 in 1575 mm	62 in 1575 mm	62 in 1575 mm	62 in 1575 mm

*Balancers must have new tub, denoted by new style brake.



For balancer information visit:
www.hunter.com/balancer

For local contact visit:
www.hunter.com/company/findrep.cfm

For general inquiries visit:
www.hunter.com
or call
800-448-6848